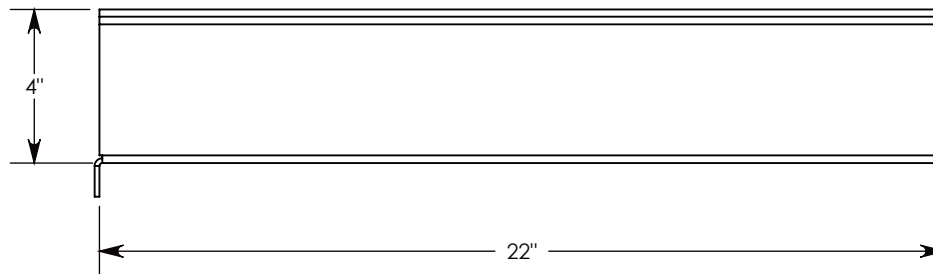
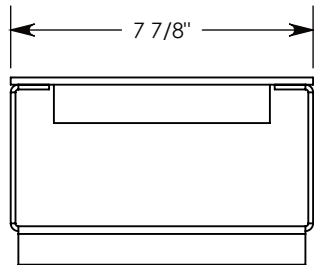
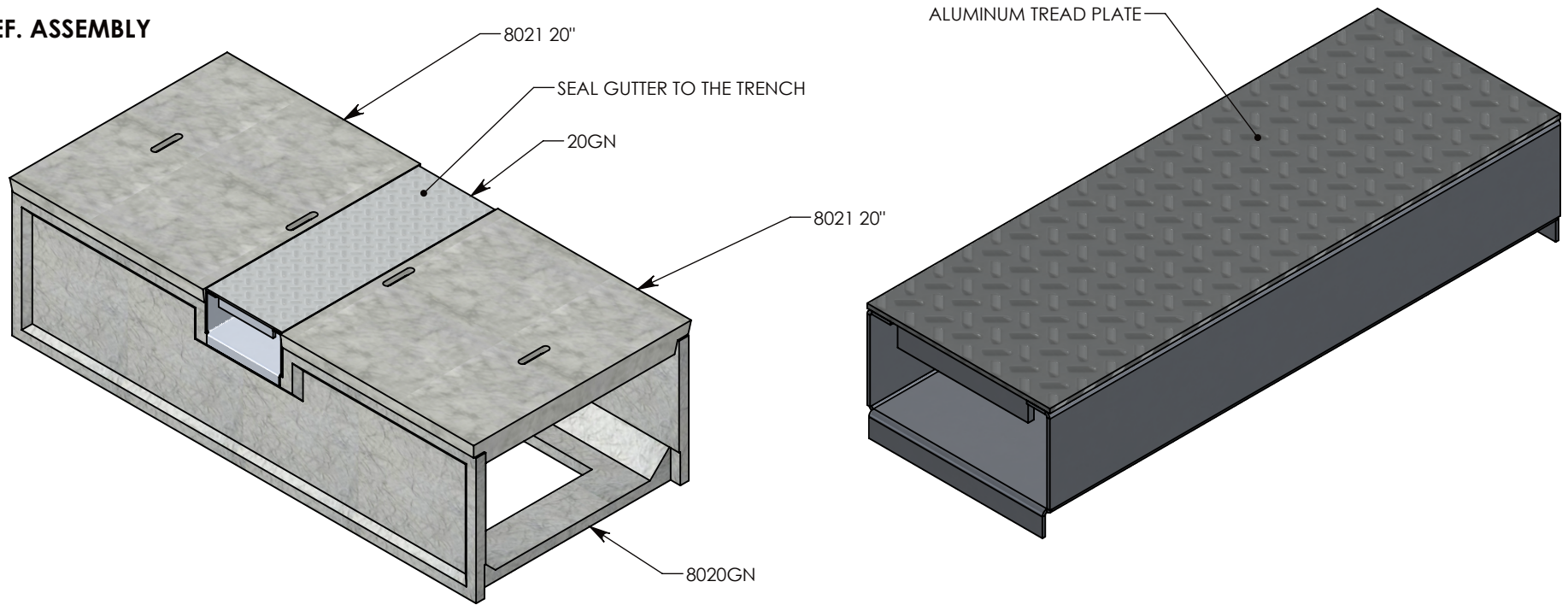


**REF. ASSEMBLY**



**NOTE 1:** FITS A 8020GN OR A 802016GN CHANNEL.

**NOTE 2:** SEAL THE GAP BETWEEN NOTCH & CHANNEL IN THE FIELD.

PEDESTRIAN RATED - 200 LB. PER SQ. FOOT

**DRAWN BY: ROSS LAGER**

**DATE: 6/14/2018**

**REVISION LEVEL: A**

**WEIGHT:**

**8 LBS.**

**MATERIAL:**

**WELDED ALUMINUM**



**DESCRIPTION:**

**GUTTER NOTCH**

DIMENSIONS ARE IN INCHES  
TOLERANCES:  
FRACTIONAL: ± 1/8"  
ANGULAR: ± 2°

CONTACT INFORMATION:  
EMAIL: INFO@CONCASTINC.COM  
PHONE: (507) 732-4095  
FAX: (507) 732-4094

SHEET 1 OF 1

**PART NUMBER:**

**20GN**