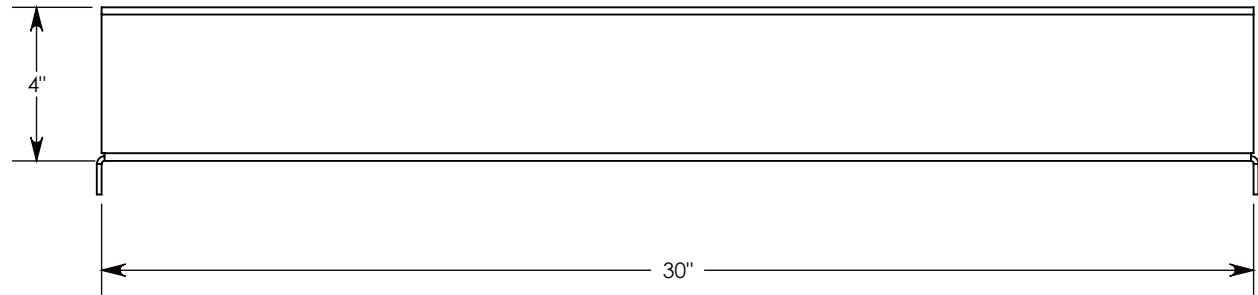
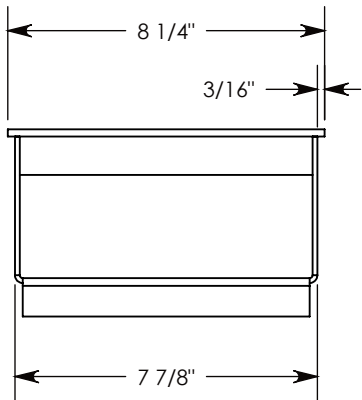
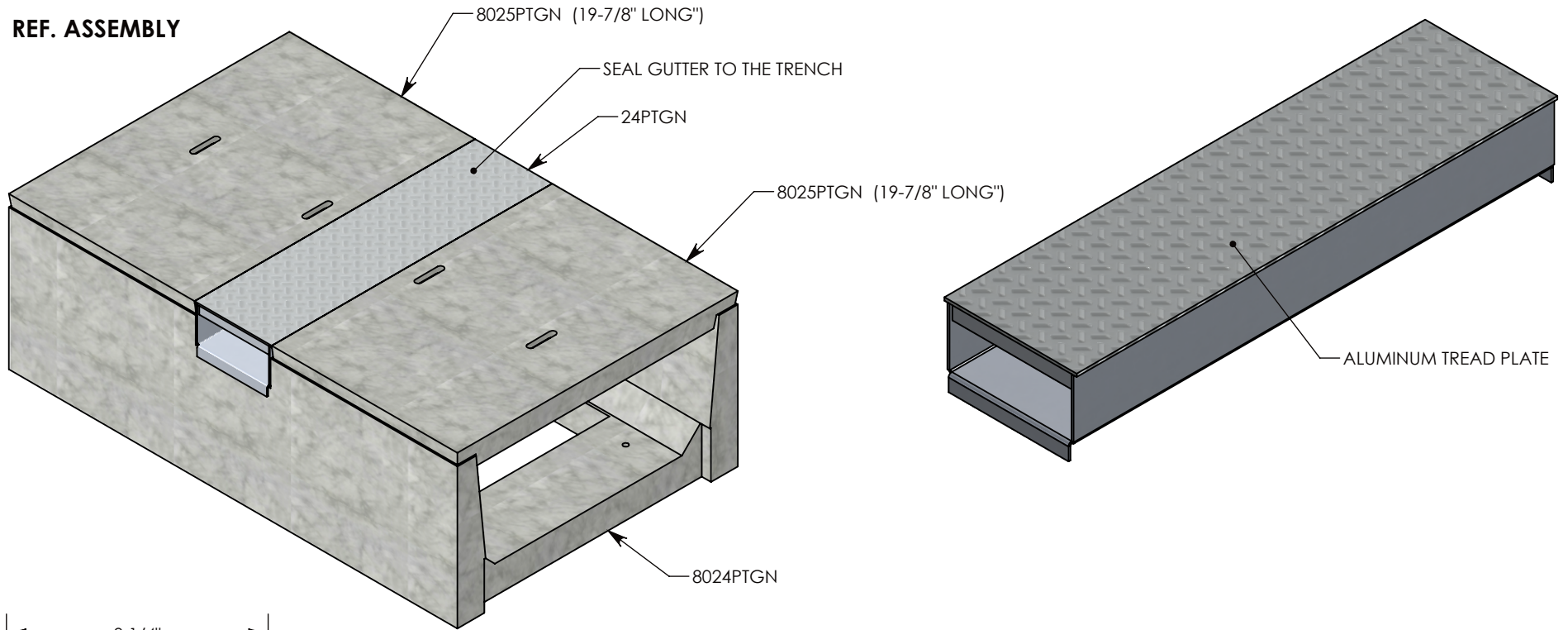


REF. ASSEMBLY



NOTE 1: FITS AN 8024PTGN , 802416PTGN, OR AN 802424PTGN CHANNEL.

NOTE 2: SEAL THE GAP BETWEEN NOTCH & CHANNEL IN THE FIELD.

PEDESTRIAN RATED - 200 LB. PER SQ. FOOT

DRAWN BY: ROBIN FLINT

DATE: 3/11/2015

REVISION LEVEL: A

WEIGHT:

11 LBS.

MATERIAL:

WELDED ALUMINUM



DESCRIPTION:

GUTTER NOTCH

DIMENSIONS ARE IN INCHES
TOLERANCES:
FRACTIONAL: ± 1/8"
ANGULAR: ± 2°

CONTACT INFORMATION:
EMAIL: INFO@CONCASTINC.COM
PHONE: (507) 732-4095
FAX: (507) 732-4094

SHEET 1 OF 1

PART NUMBER:

24PTGN