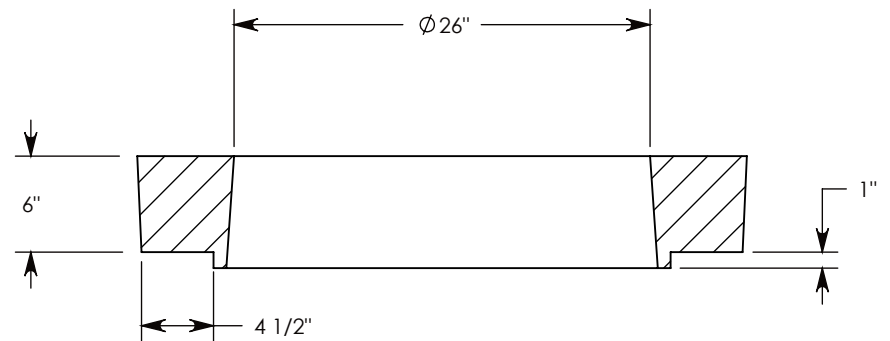
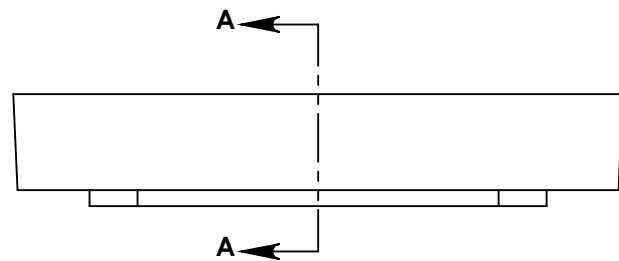
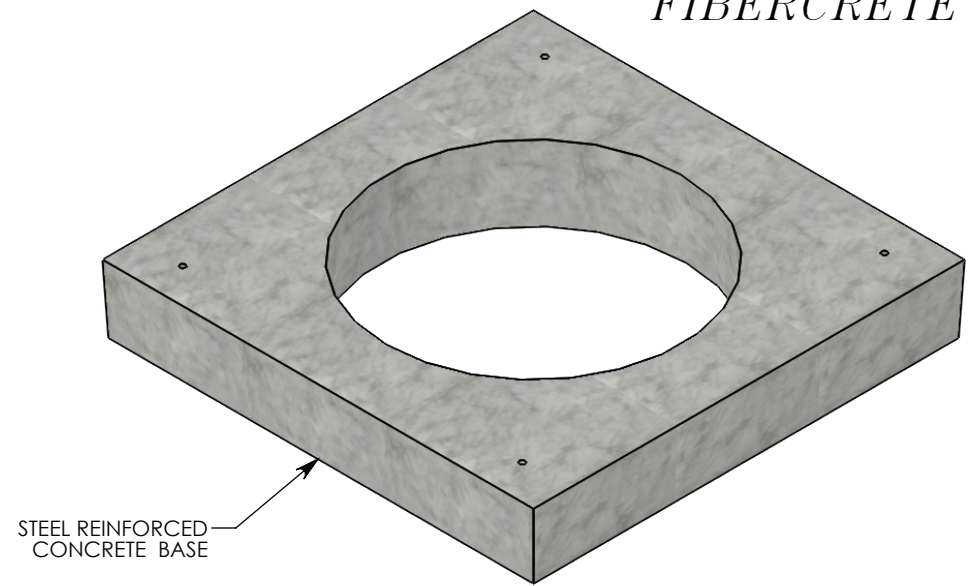
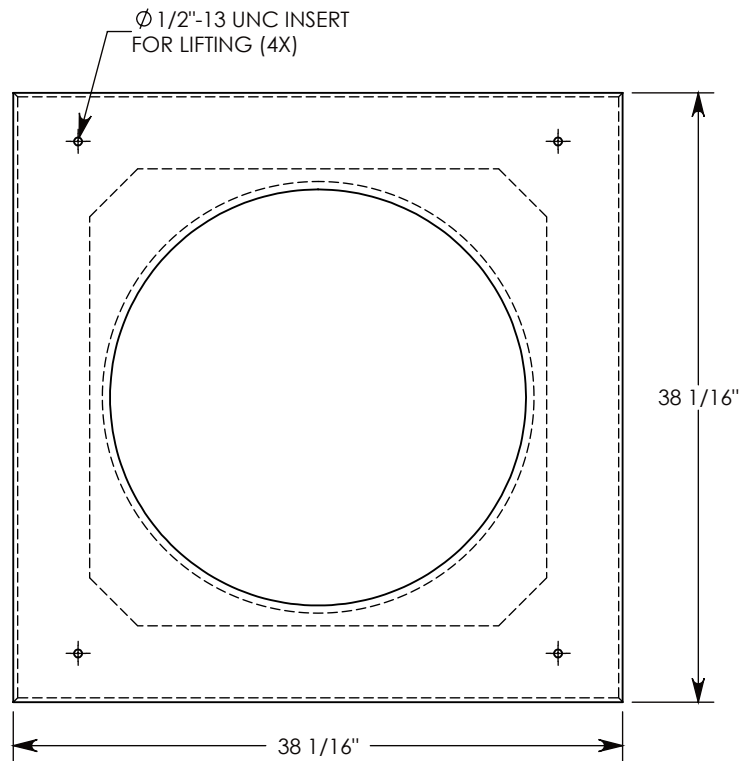


FIBERCRETE®



SECTION A-A

**NOTE 1:** USE OPTIONAL 4" TALL EXTENSION/GRADE RINGS TO INCREASE HEIGHT OF COVER OPENING. P/N: HE-42  
**NOTE 2:** CAST IRON MANHOLE LID & FRAME ARE INCLUDED WITH THE FINAL PULL BOX ASSEMBLY.

H-20 RATED - 32,000 LB. PER AXLE LOAD.

<b>DRAWN BY: ROBIN FLINT</b>		 1010 NORTH STAR DRIVE P.O. BOX 69 ZUMBROTA, MN 55992-0069	<b>DESCRIPTION:</b>	
<b>DATE: 9/4/2016</b>	<b>REVISION LEVEL: A</b>		<b>MANHOLE COVER BASE</b>	
<b>WEIGHT:</b>	<b>MATERIAL:</b>		DIMENSIONS ARE IN INCHES TOLERANCES: FRACTIONAL: ± 1/8" ANGULAR: ± 2°	CONTACT INFORMATION: EMAIL: INFO@CONCASTINC.COM PHONE: (507) 732-4095 FAX: (507) 732-4094
<b>452 LBS.</b>	<b>CONCRETE</b>	<b>PART NUMBER:</b>		<b>38-38-MH</b>