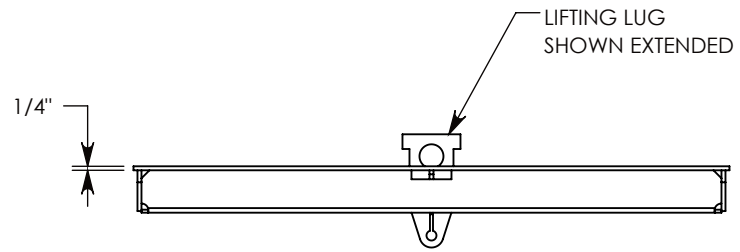
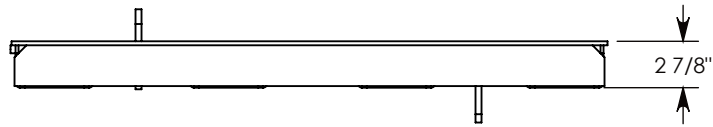
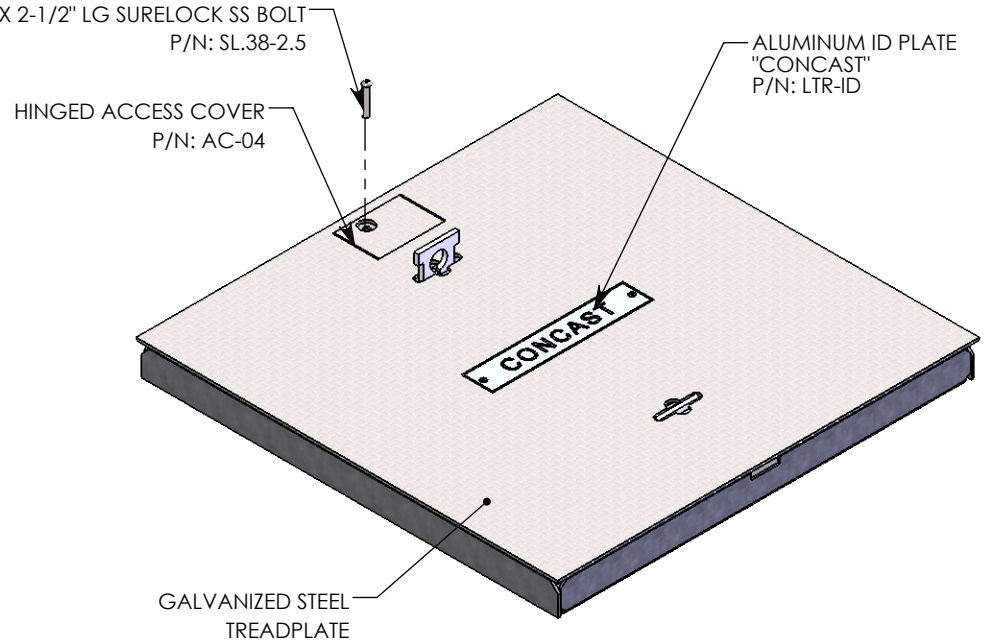
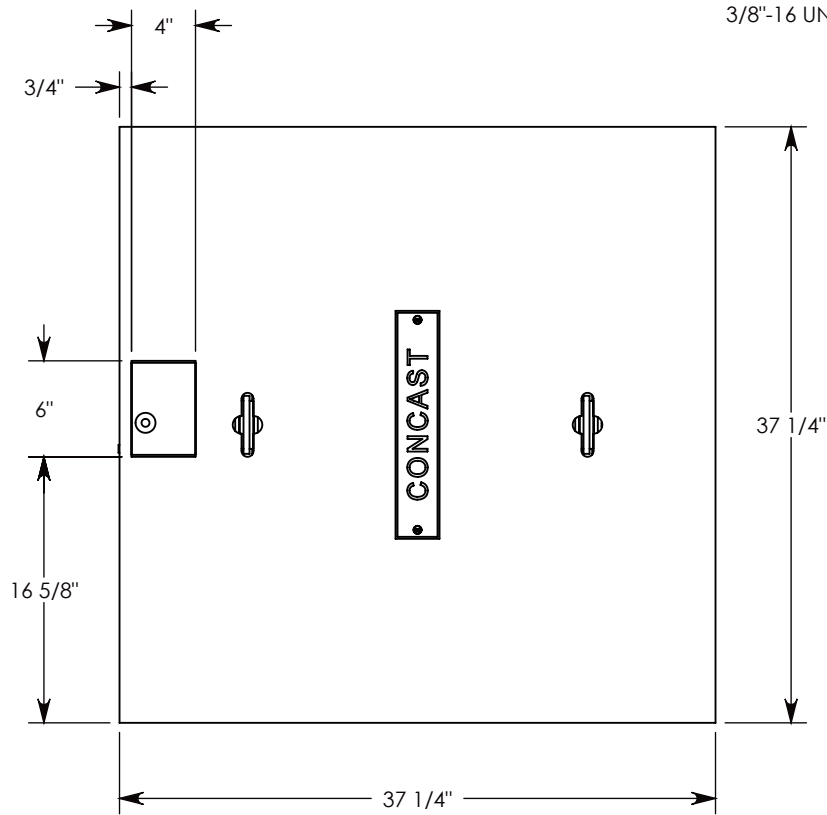


REV. A - JCG - 4/16/2020 - UPDATED TO NEW METAL PARTS
 REV. B - JCG - 7/30/2020 - CHANGED ACCESS COVER TO BE HINGED



NOTE 1: TREAD ON DIAMOND PLATE ADDS 1/8" TO OVERALL HEIGHT

AASHTO H-20 RATED – 32,000 LB. SINGLE AXLE LOAD

DRAWN BY: JESSE GUTTING	
CREATED DATE: 3/22/2018	REVISION LEVEL: B
SAVED DATE: 7/30/2020	SAVED BY: jgutting
WEIGHT: 195 LBS.	MATERIAL: GALVANIZED STEEL



1010 NORTH STAR DRIVE
 P.O. BOX 69
 ZUMBROTA, MN 55992-0069

DESCRIPTION: GALVANIZED STEEL PULL BOX COVER		SHEET 1 OF 2
DIMENSIONS ARE IN INCHES TOLERANCES: FRACTIONAL: ± 1/8" ANGULAR: ± 2°	CONTACT INFORMATION: EMAIL: INFO@CONCASTINC.COM PHONE: (507) 732-4095 FAX: (507) 732-4094	
PART NUMBER: 38-38-RSGSLP		