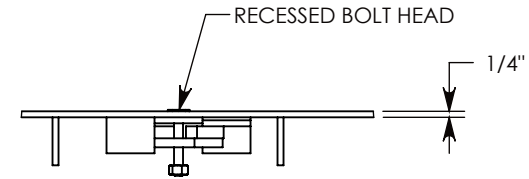
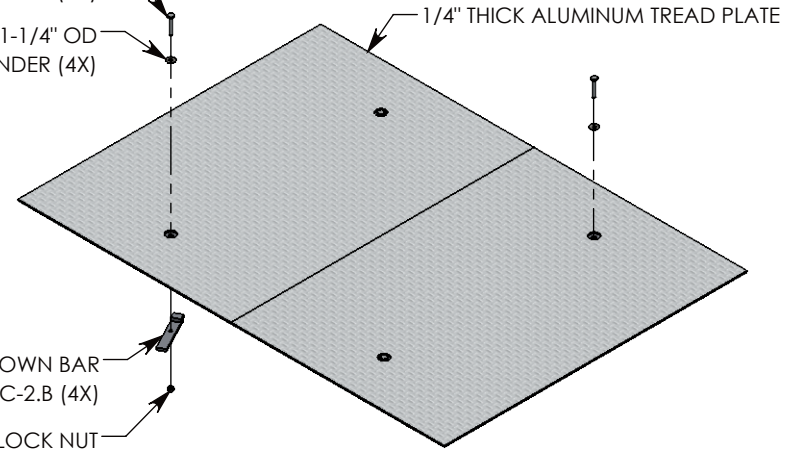
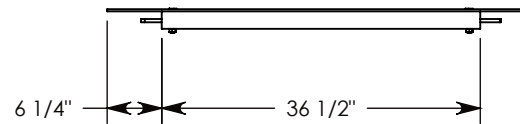
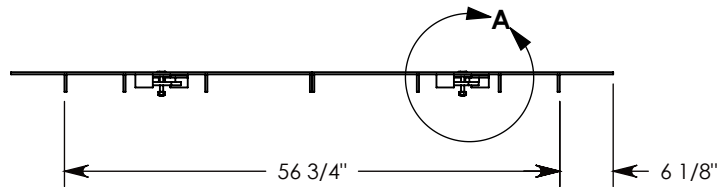
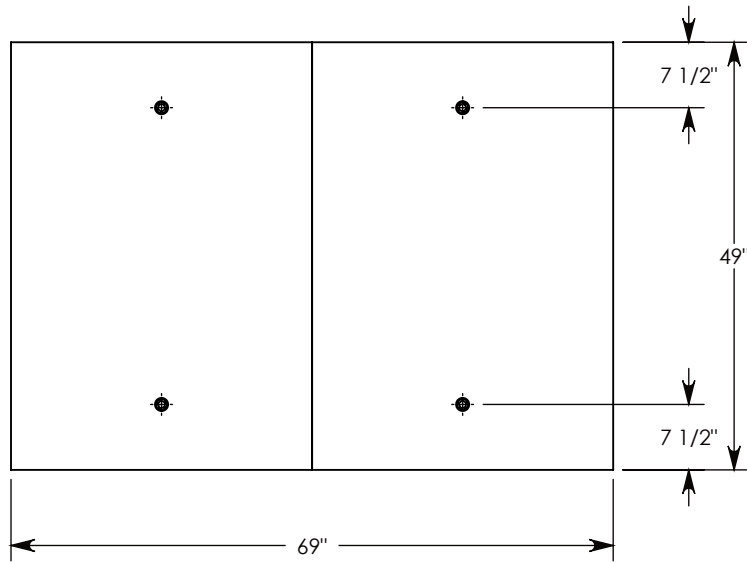


3/8-16 UNC X 2-1/2" LG PENTA HD BOLT  
 P/N: PTA.38-2.5 (4X)  
 3/8" FENDER WASHER - 1-1/4" OD  
 P/N: WSR.38-1.25-FENDER (4X)

COVER HOLD-DOWN BAR  
 P/N: CHC-2.B (4X)  
 3/8-16 UNC NYLOCK NUT  
 P/N: LK-NUT-.38 (4X)



**DETAIL A**  
**SCALE 1 : 8**



PEDESTRIAN RATED - 200 LB. PER SQ. FOOT

DRAWN BY: <b>JESSE GUTTING</b>	
CREATED DATE: <b>5/19/2017</b>	REVISION LEVEL: <b>B</b>
SAVED DATE: <b>8/13/2021</b>	SAVED BY: <b>jgutting</b>
WEIGHT: <b>103 LBS.</b>	MATERIAL: <b>WELDED ALUMINUM</b>



1010 NORTH STAR DRIVE  
 P.O. BOX 69  
 ZUMBROTA, MN 55992-0069

DESCRIPTION: <b>AL. BOX PAD COVER WITH SWING CLAMPS</b>		
DIMENSIONS ARE IN INCHES TOLERANCES: FRACTIONAL: ± 1/8" ANGULAR: ± 2°	CONTACT INFORMATION: EMAIL: <a href="mailto:INFO@CONCASTINC.COM">INFO@CONCASTINC.COM</a> PHONE: (507) 732-4095 FAX: (507) 732-4094	SHEET 1 OF 2
PART NUMBER: <b>49-69-A3757</b>		