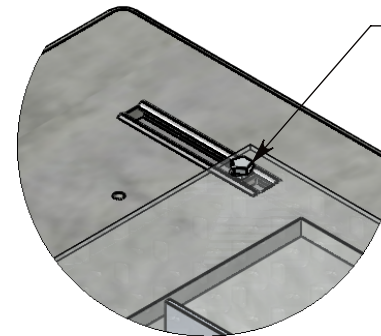
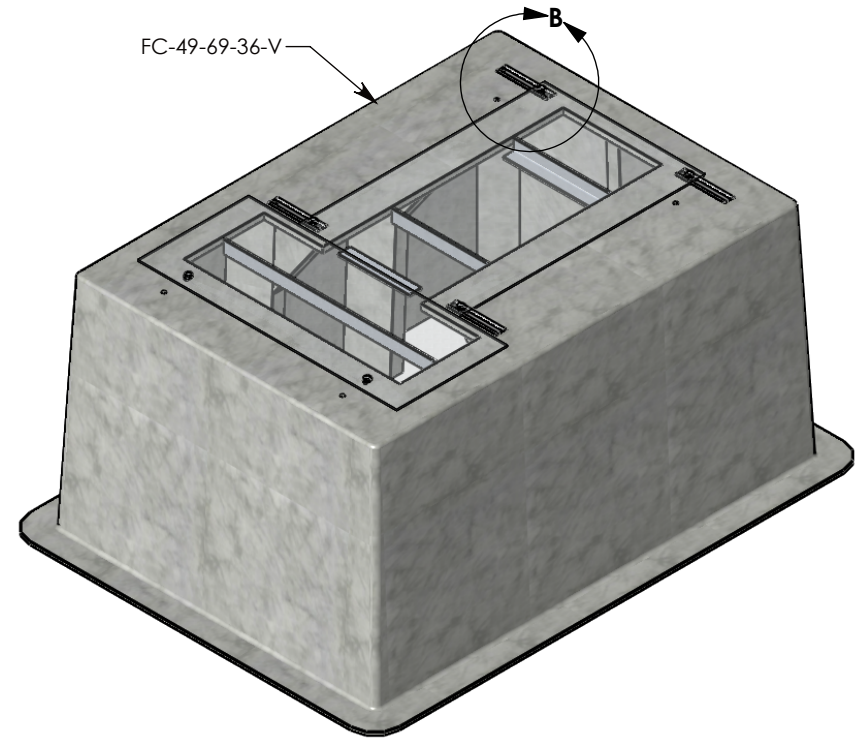
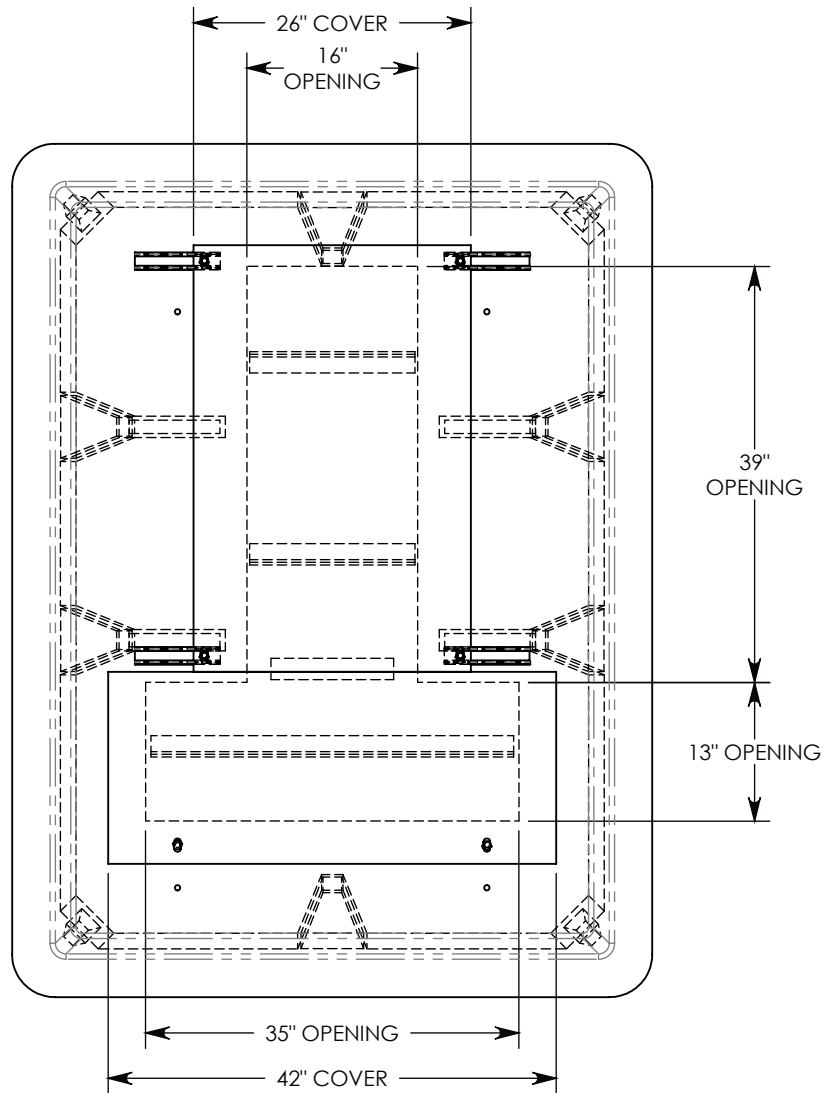


NOTE 1: SHEET 2 ILLUSTRATES HOW COVER FITS ONTO BOX PAD P/N: FC-49-69-36-V

<b>DRAWN BY: ROBIN FLINT</b>	
<b>CREATED DATE: 9/17/2012</b>	<b>REVISION LEVEL: A</b>
<b>SAVED DATE: 11/11/2020</b>	<b>SAVED BY: scallahan</b>
<b>WEIGHT: 53 LBS.</b>	<b>MATERIAL: ALUMINUM</b>

1010 NORTH STAR DRIVE  
P.O. BOX 69  
ZUMBROTA, MN 55992-0069

<b>DESCRIPTION:</b> <b>ALUMINUM VISTA BOX PAD COVER</b>		SHEET 1 OF 4
DIMENSIONS ARE IN INCHES TOLERANCES: FRACTIONAL: ± 1/8" ANGULAR: ± 2°	CONTACT INFORMATION: EMAIL: INFO@CONCASTINC.COM PHONE: (507) 732-4095 FAX: (507) 732-4094	
<b>PART NUMBER:</b> <b>49-69-VCA</b>		



PENTAHEAD BOLT  
SECURES ALUMINUM COVERS  
TO THE BOX PAD UNTIL THE  
UNIT IS READY FOR VISTA  
EQUIPMENT INSTALLATION

**DETAIL B**  
**SCALE 1 : 8**

**DRAWN BY: ROBIN FLINT**

**CREATED DATE: 9/17/2012**    **REVISION LEVEL: 0**

**SAVED DATE: 11/11/2020**    **SAVED BY: scallahan**

**WEIGHT: 749.16 LBS.**    **MATERIAL: FIBERCRETE FC**

**CONCAST**  
1010 NORTH STAR DRIVE  
P.O. BOX 69  
ZUMBROTA, MN 55992-0069

**DESCRIPTION:**  
**FIBERCRETE VISTA BOX PAD**

DIMENSIONS ARE IN INCHES  
TOLERANCES:  
FRACTIONAL: ± 1/8"  
ANGULAR: ± 2°

CONTACT INFORMATION:  
EMAIL: INFO@CONCASTINC.COM  
PHONE: (507) 732-4095  
FAX: (507) 732-4094

SHEET 2 OF 4

**PART NUMBER:**  
**FC-49-69-36-V1**