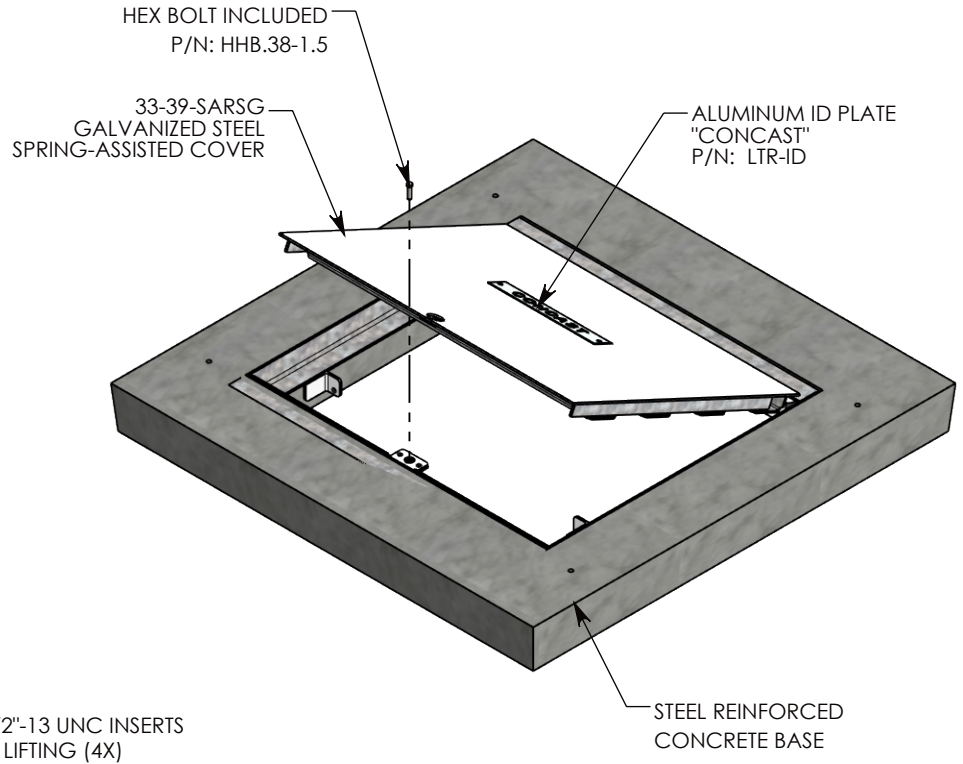
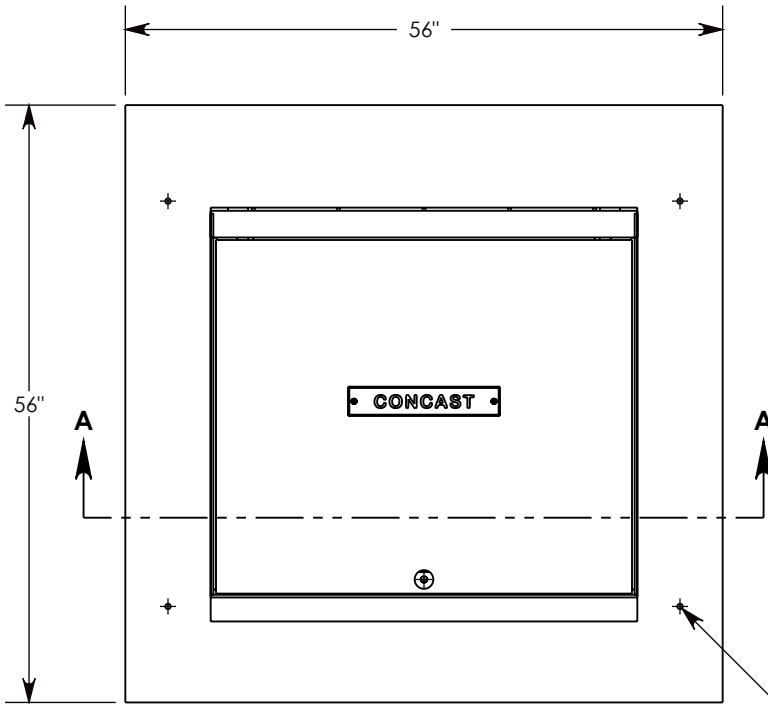
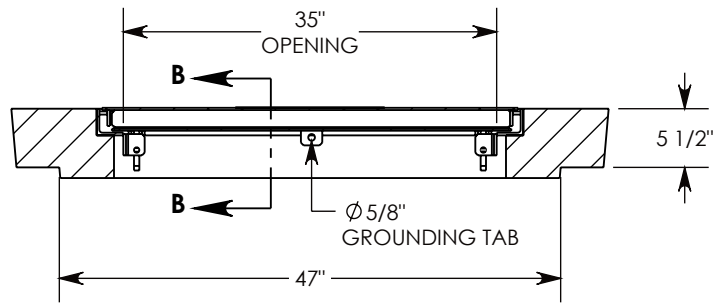


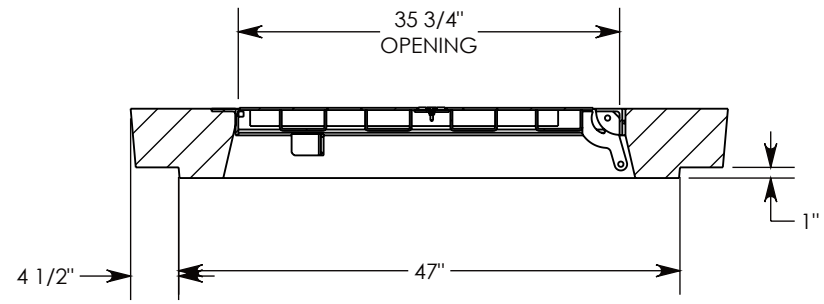
REV. A - JCG - 10/19/18 - ADDED BOLT & UPDATED NOTES
 REV. B - JCG - 9/18/2023 - CHANGED HEIGHT FROM 6" TO 5.5"



Ø 1/2"-13 UNC INSERTS FOR LIFTING (4X)



SECTION A-A



SECTION B-B

NOTE 1: FOR ADDED SECURITY, PENTA HEAD (P/N: PTA.38-1.5) OR SURELOCK BOLTS (P/N: SL.38-1.5) CAN BE ADDED

AASHTO H-20 RATED – 32,000 LB. SINGLE AXLE LOAD

| | |
|--------------------------------|---------------------------|
| DRAWN BY: ROBIN FLINT | |
| CREATED DATE: 4/20/2009 | REVISION LEVEL: B |
| SAVED DATE: 9/18/2023 | SAVED BY: jgutting |
| WEIGHT: 983 LBS. | MATERIAL: NOTED |



1010 NORTH STAR DRIVE
 P.O. BOX 69
 ZUMBROTA, MN 55992-0069

| | | |
|--|---|--------------|
| DESCRIPTION: SPRING ASSISTED RSG PULL BOX COVER | | SHEET 1 OF 1 |
| DIMENSIONS ARE IN INCHES TOLERANCES: FRACTIONAL: ± 1/8" ANGULAR: ± 2° | CONTACT INFORMATION: EMAIL: INFO@CONCASTINC.COM PHONE: (507) 732-4095 FAX: (507) 732-4094 | |
| PART NUMBER: 56-56-SA | | |