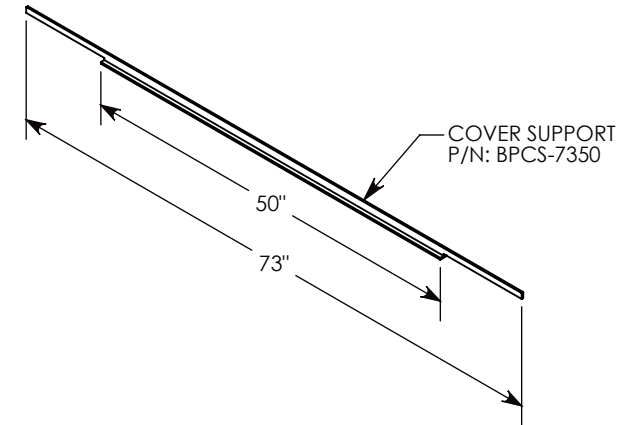
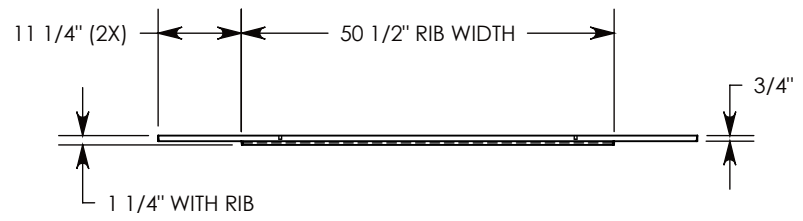
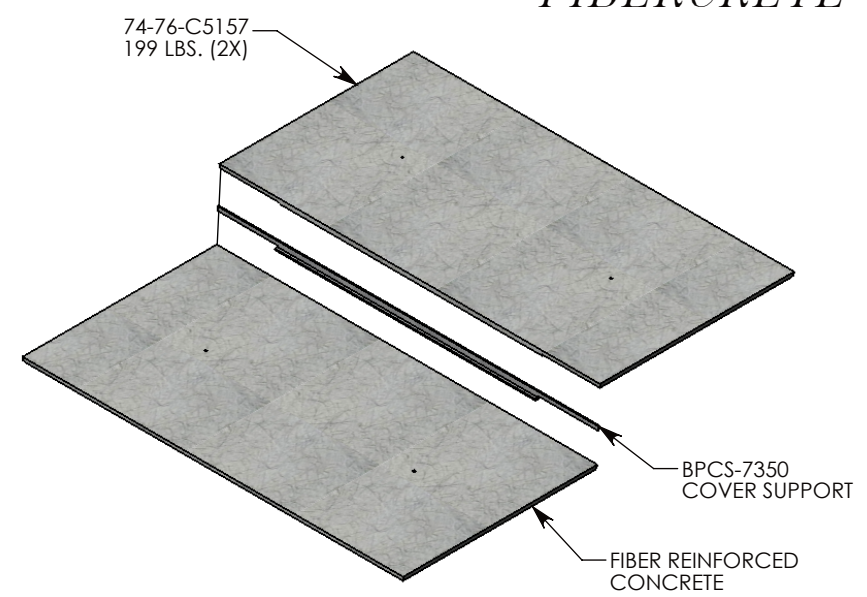
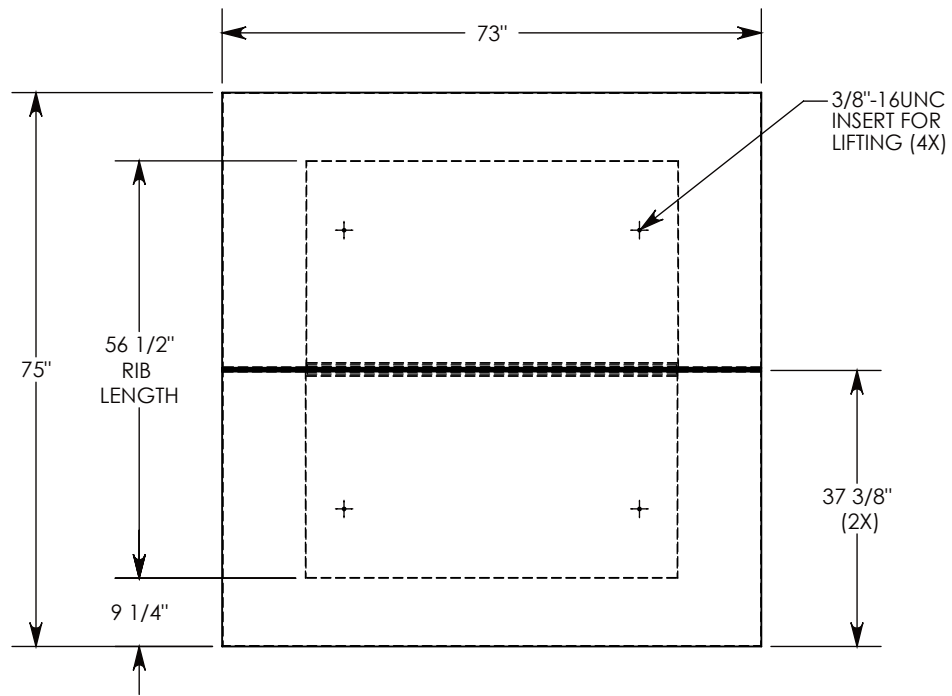


**FIBERCRETE<sup>®</sup>**



6 CONCAST TOGGLE NUTS (PART NUMBER TN-.5) ARE INCLUDED, AND ARE USED TO ATTACH THIS COVER TO THE BOX PAD. COVER AND BOX PAD ARE TO BE DRILLED ONSITE AT DESIRED LOCATIONS FOR TOGGLE NUT INSTALLATION.

<b>DRAWN BY: ROBIN FLINT</b>	
<b>DATE: 6/6/2012</b>	<b>REVISION LEVEL: 0</b>
<b>WEIGHT: 407 LBS. TOTAL</b>	<b>MATERIAL: FIBERCRETE</b>



1010 NORTH STAR DRIVE  
P.O. BOX 69  
ZUMBROTA, MN 55992-0069

<b>DESCRIPTION:</b>		
<b>FIBERCRETE BOX PAD COVERS</b>		
DIMENSIONS ARE IN INCHES TOLERANCES: FRACTIONAL: ± 1/8" ANGULAR: ± 2°	CONTACT INFORMATION: EMAIL: INFO@CONCASTINC.COM PHONE: (507) 732-4095 FAX: (507) 732-4094	SHEET 1 OF 1
<b>PART NUMBER: 74-76-C5157</b>		