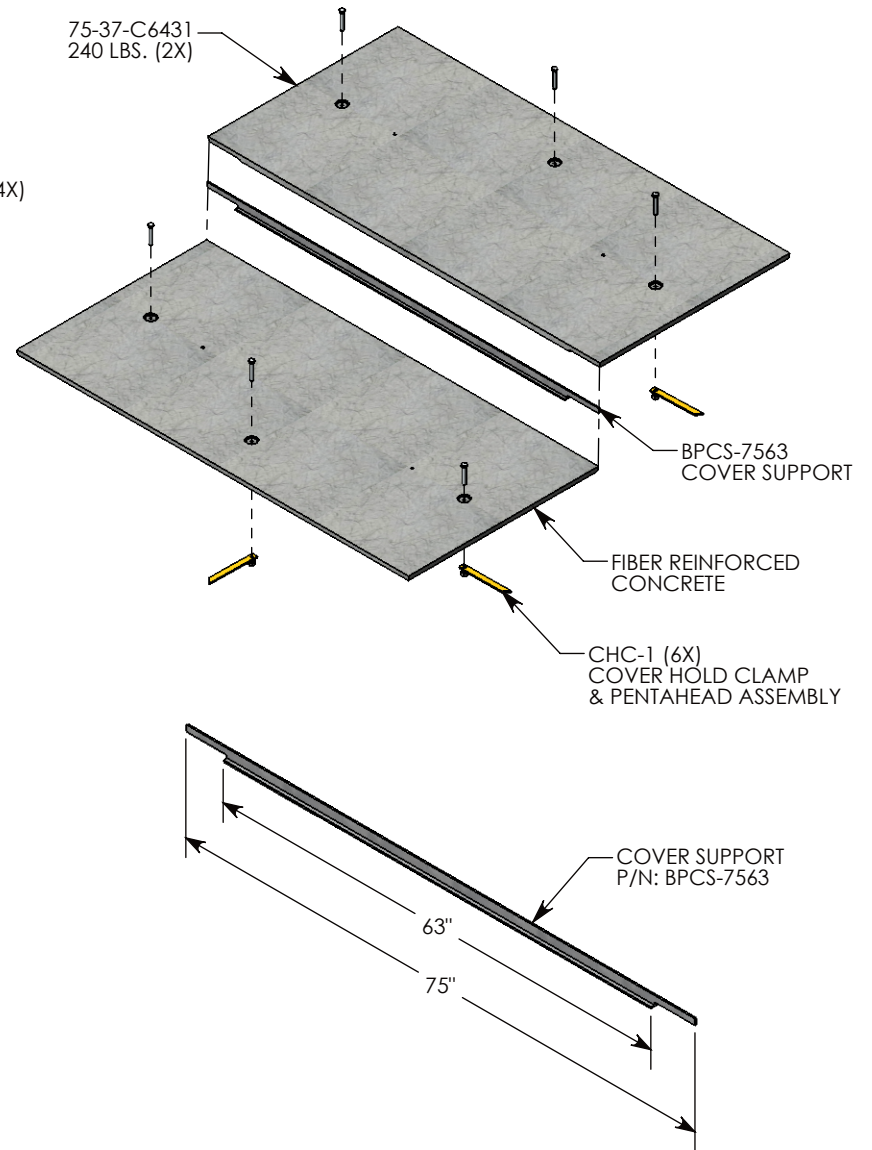
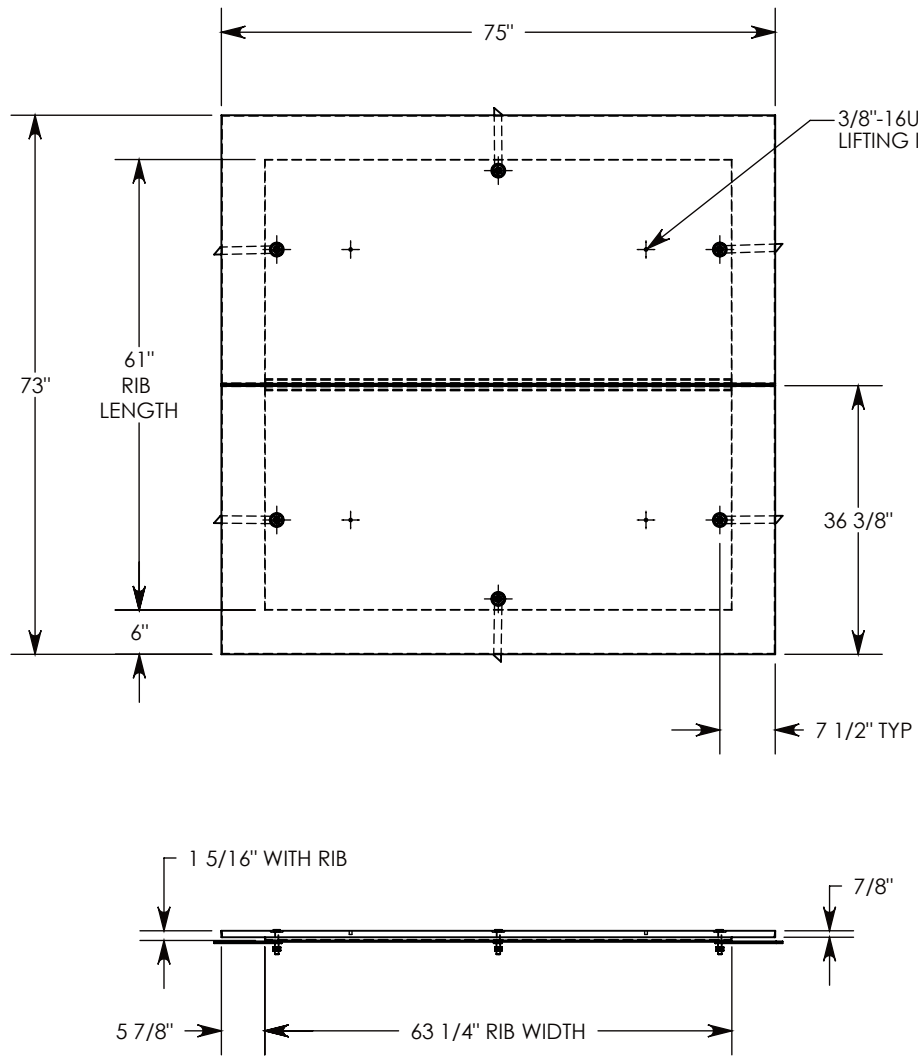


REV. A - JCG - 5/18/2020 - UPDATED DIMENSIONS TO MATCH CURRENT MOLD. CHANGED DIRECTION OF SPLIT
 UPDATED COVER SUPPORT; UPDATED COVER NAMES



DRAWN BY: **ROBIN FLINT**

CREATED DATE: **12/10/2002** REVISION LEVEL: **B**

SAVED DATE: **5/20/2020** SAVED BY: **jgutting**

WEIGHT: **498 LBS.** MATERIAL: **FIBERCRETE**

CONCAST
 1010 NORTH STAR DRIVE
 P.O. BOX 69
 ZUMBROTA, MN 55992-0069

DESCRIPTION:
FIBERCRETE BOX PAD COVERS

DIMENSIONS ARE IN INCHES
 TOLERANCES:
 FRACTIONAL: ± 1/8"
 ANGULAR: ± 2°

CONTACT INFORMATION:
 EMAIL: INFO@CONCASTINC.COM
 PHONE: (507) 732-4095
 FAX: (507) 732-4094

SHEET 1 OF 1

PART NUMBER:
74-76-C6264