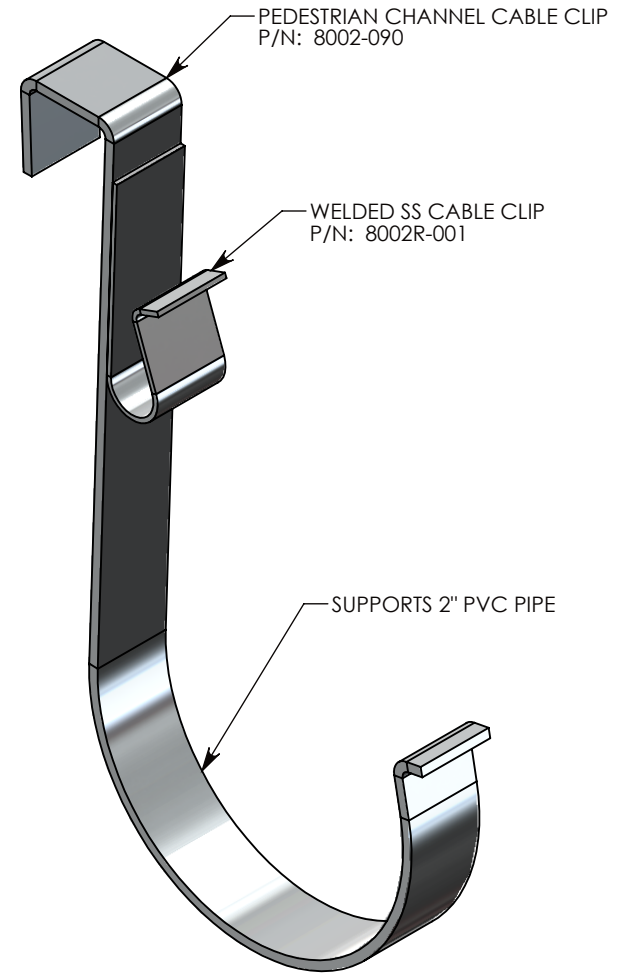
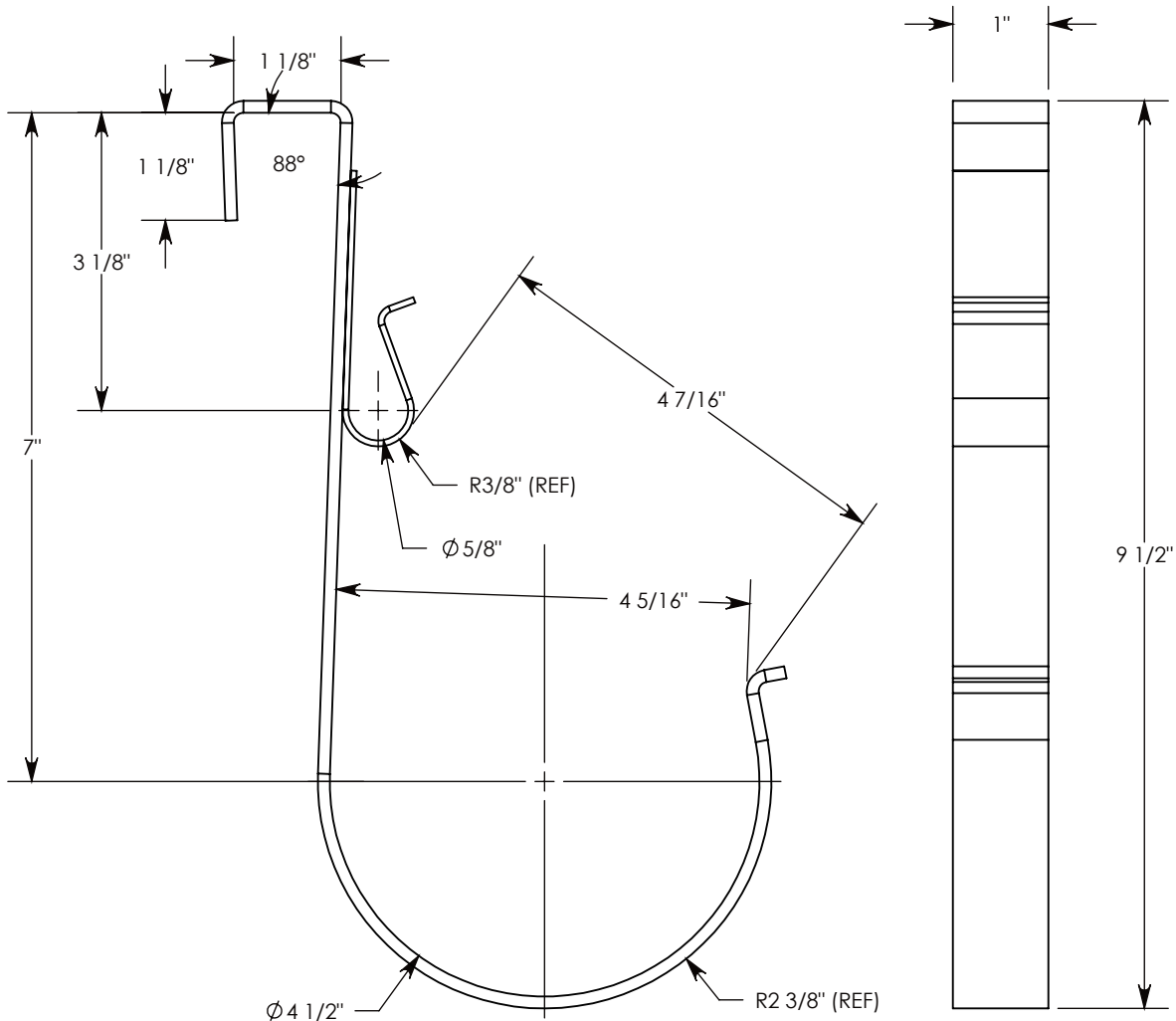


**FIBERCRETE<sup>®</sup>**  
**TRENCH**  
**SYSTEM**



**DRAWN BY: ROBIN FLINT**

**DATE: 8/15/2015**

**REVISION LEVEL: 0**

**WEIGHT:**

**0.7 LBS.**

**MATERIAL:**

**WELDED SS**



1010 NORTH STAR DRIVE  
P.O. BOX 69  
ZUMBROTA, MN 55992-0069

**DESCRIPTION:**

**PEDESTRIAN CHANNEL DOUBLE CABLE CLIP**

DIMENSIONS ARE IN INCHES

TOLERANCES:  
FRACTIONAL:  $\pm 1/8"$   
ANGULAR:  $\pm 2^\circ$

CONTACT INFORMATION:  
EMAIL: INFO@CONCASTINC.COM  
PHONE: (507) 732-4095  
FAX: (507) 732-4094

**PART NUMBER: 8002-009**

SHEET 1 OF 1