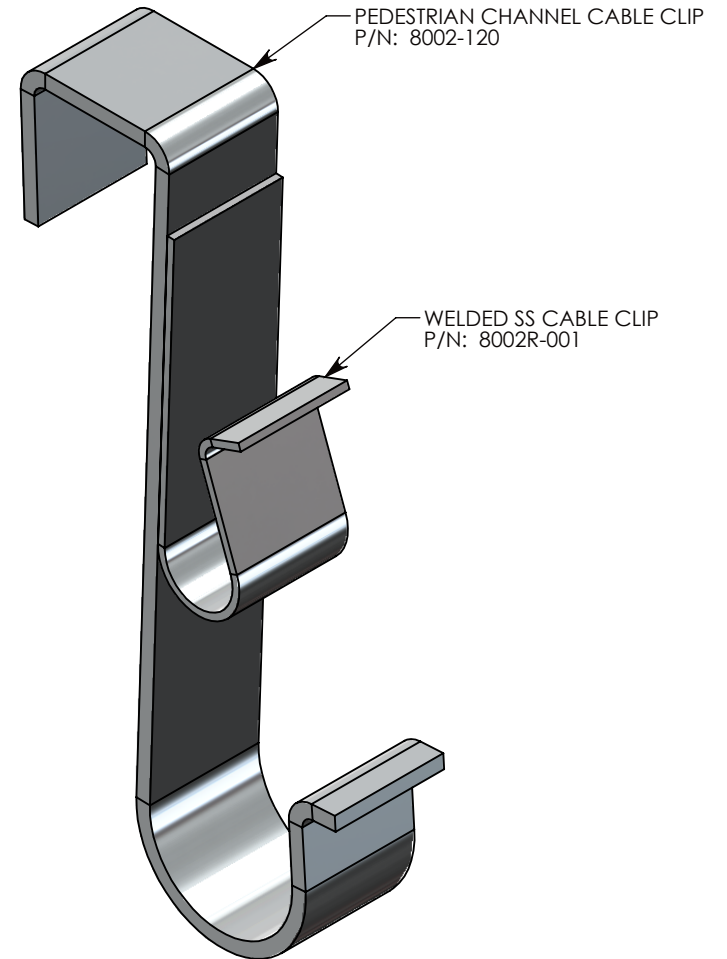
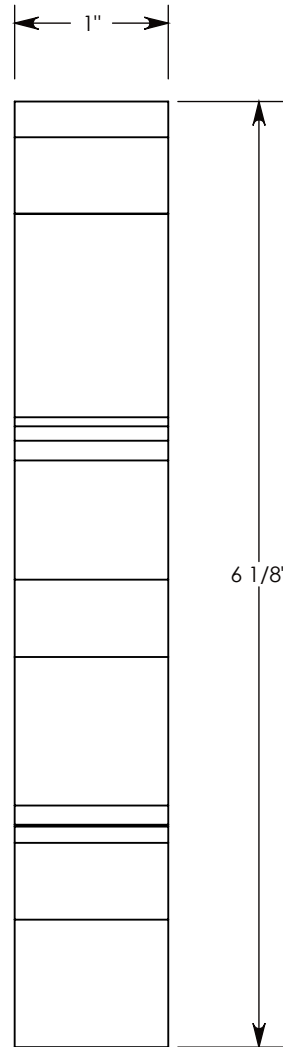
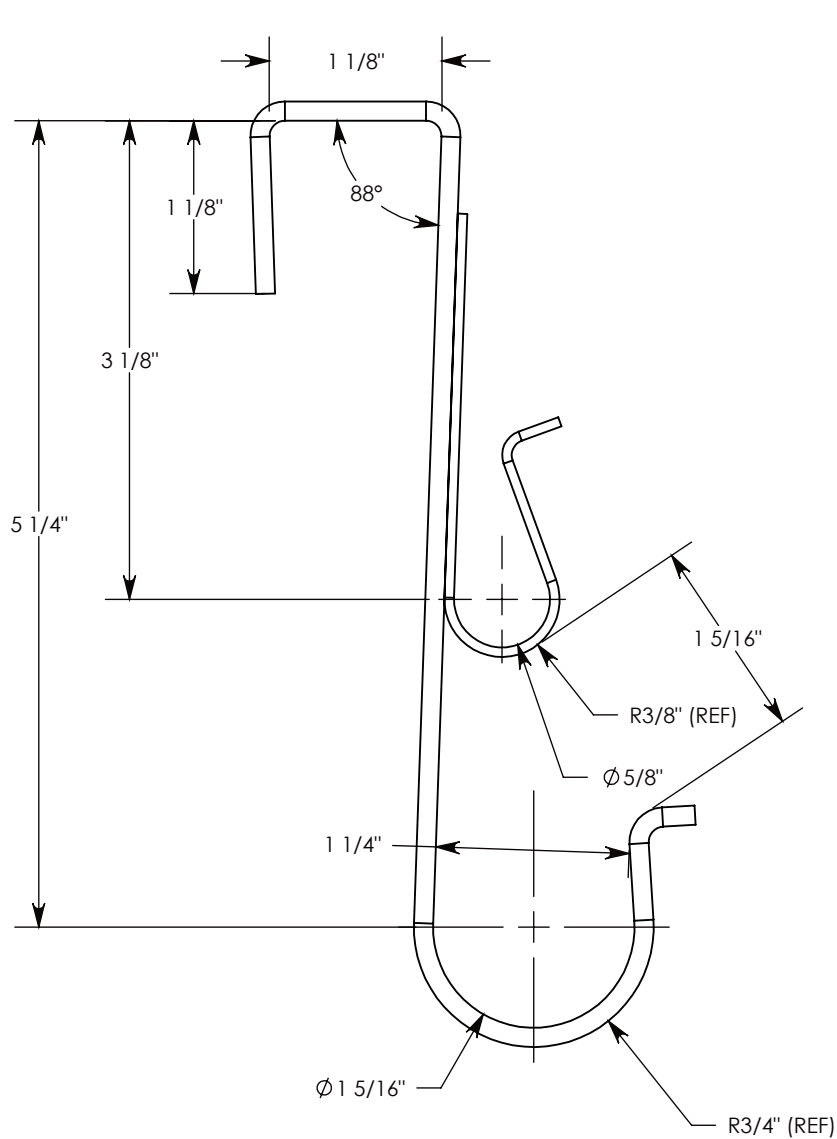


FIBERCRETE[®]
TRENCH
SYSTEM



DRAWN BY: ROBIN FLINT

DATE: 8/15/2015

REVISION LEVEL: 0

WEIGHT:

0.5 LBS.

MATERIAL:

WELDED SS



DESCRIPTION:

PEDESTRIAN CHANNEL DOUBLE CABLE CLIP

DIMENSIONS ARE IN INCHES

TOLERANCES:
 FRACTIONAL: ± 1/8"
 ANGULAR: ± 2°

CONTACT INFORMATION:
 EMAIL: INFO@CONCASTINC.COM
 PHONE: (507) 732-4095
 FAX: (507) 732-4094

PART NUMBER: 8002-012

SHEET 1 OF 1