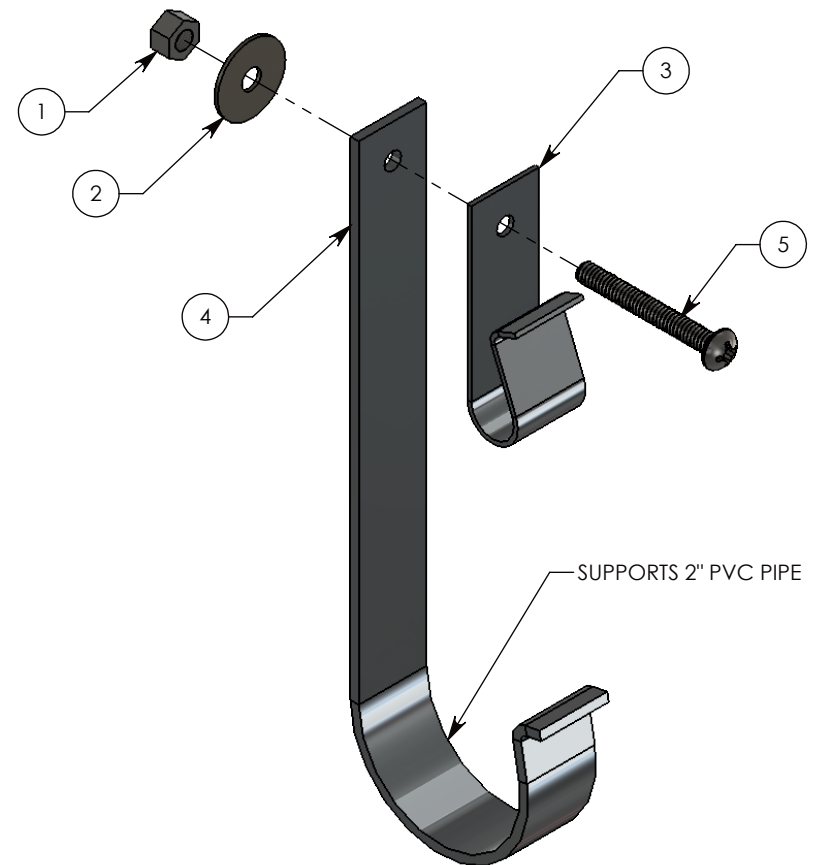
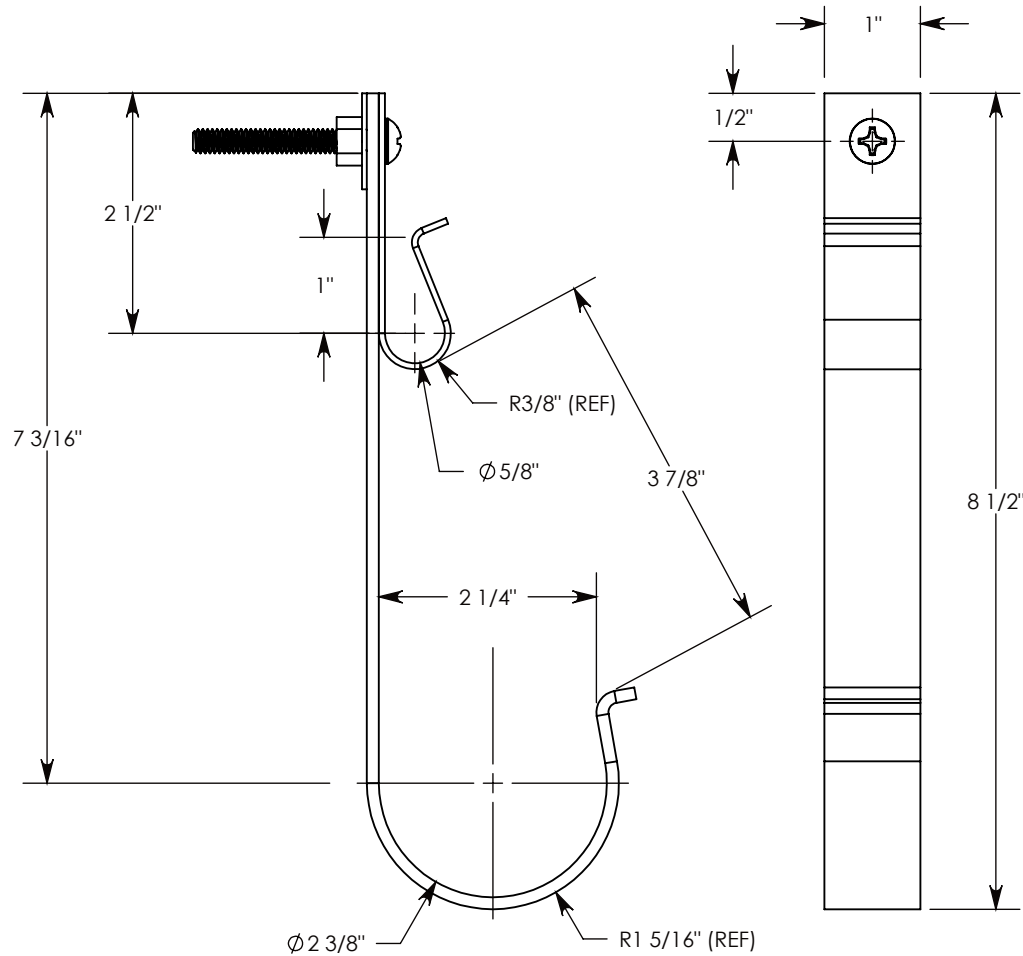


ITEM NO.	PART NUMBER	DESCRIPTION	QTY.
1	HHN.25	1/4-20 UNC HEX HEAD NUT	1
2	WSR.25-1	1/4" STD WASHER - 1" OD	1
3	8002R-000	TRAFFIC CHANNEL SS CABLE CLIP	1
4	8002R-080	CHANNEL SS CABLE CLIP	1
5	PHMS.25-2	1/4-20 X 2" LG PAN HEAD MACHINE SCREW	1



**NOTE 1:** HARDWARE IS INCLUDED  
**NOTE 2:** PEDESTRIAN CHANNELS WILL NEED CLEARANCE HOLES CREATED DURING INSTALLATION

**DRAWN BY: ROBIN FLINT**

**DATE: 1/28/2017**

**REVISION LEVEL: A**

**WEIGHT:**

**0.6 LBS.**

**MATERIAL:**

**NOTED**



**DESCRIPTION:**

**FLUSH CHANNEL DOUBLE CABLE CLIP**

DIMENSIONS ARE IN INCHES  
 TOLERANCES:  
 FRACTIONAL:  $\pm 1/8"$   
 ANGULAR:  $\pm 2^\circ$

CONTACT INFORMATION:  
 EMAIL: INFO@CONCASTINC.COM  
 PHONE: (507) 732-4095  
 FAX: (507) 732-4094

**PART NUMBER: 8002F-001**

SHEET 1 OF 1