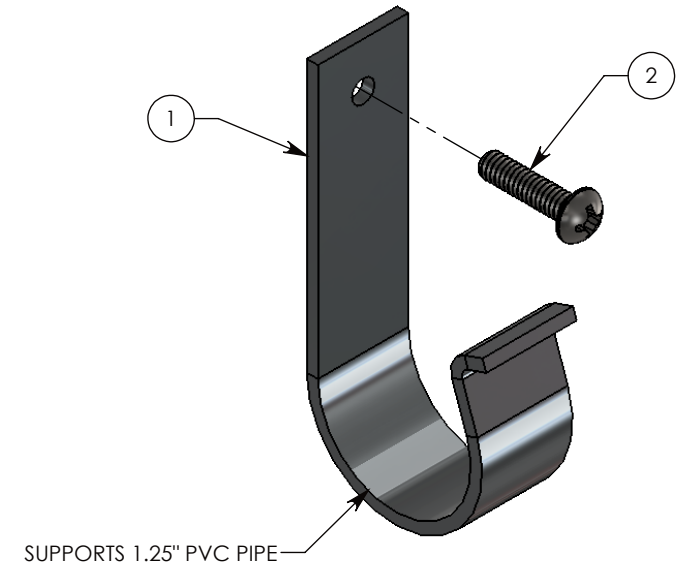
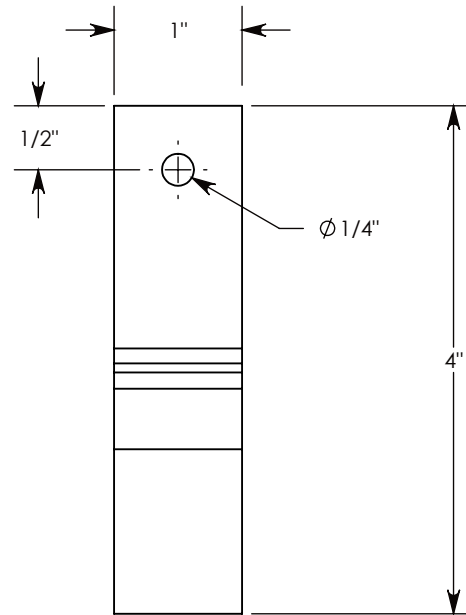
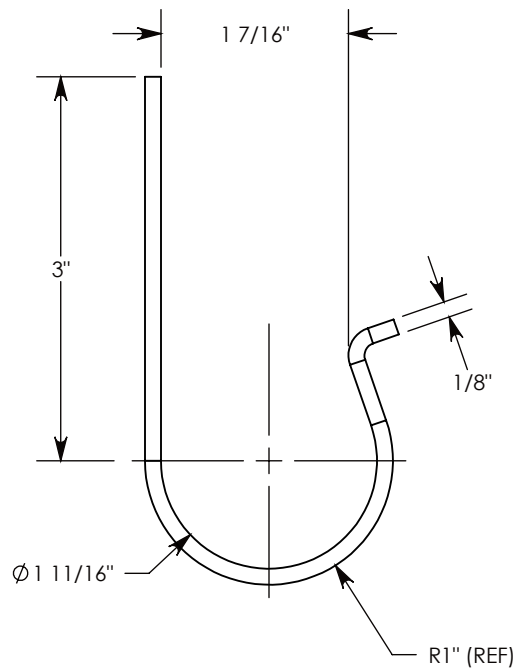


ITEM NO.	PART NUMBER	DESCRIPTION	QTY.
1	8002R-050	CHANNEL SS CABLE CLIP	1
2	PHMS.25-1	1/4-20 X 1" PAN HEAD MACH. SCREW	1



**NOTE 1:** MACHINE SCREW IS INCLUDED  
**NOTE 2:** TRAFFIC RATED CHANNELS HAVE CAST-IN THREADED INSERTS FOR MOUNTING CABLE CLIPS.

**DRAWN BY: ROBIN FLINT**

**DATE: 1/28/2017**

**REVISION LEVEL: A**

**WEIGHT:**

**0.3 LBS.**

**MATERIAL:**

**NOTED**



**DESCRIPTION:**

**TRAFFIC RATED CHANNEL CABLE CLIP**

DIMENSIONS ARE IN INCHES  
 TOLERANCES:  
 FRACTIONAL:  $\pm 1/8$ "  
 ANGULAR:  $\pm 2^\circ$

CONTACT INFORMATION:  
 EMAIL: INFO@CONCASTINC.COM  
 PHONE: (507) 732-4095  
 FAX: (507) 732-4094

SHEET 1 OF 2

**PART NUMBER:**

**8002R-005**