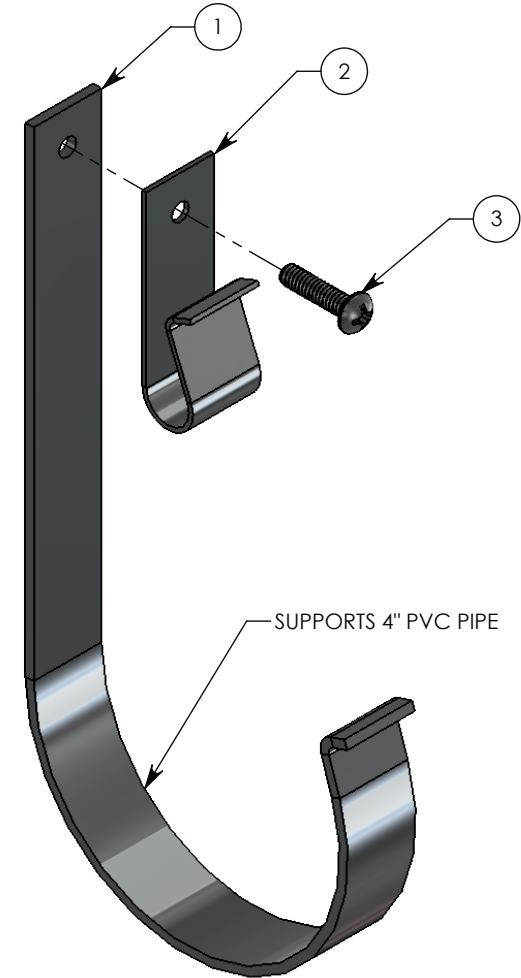
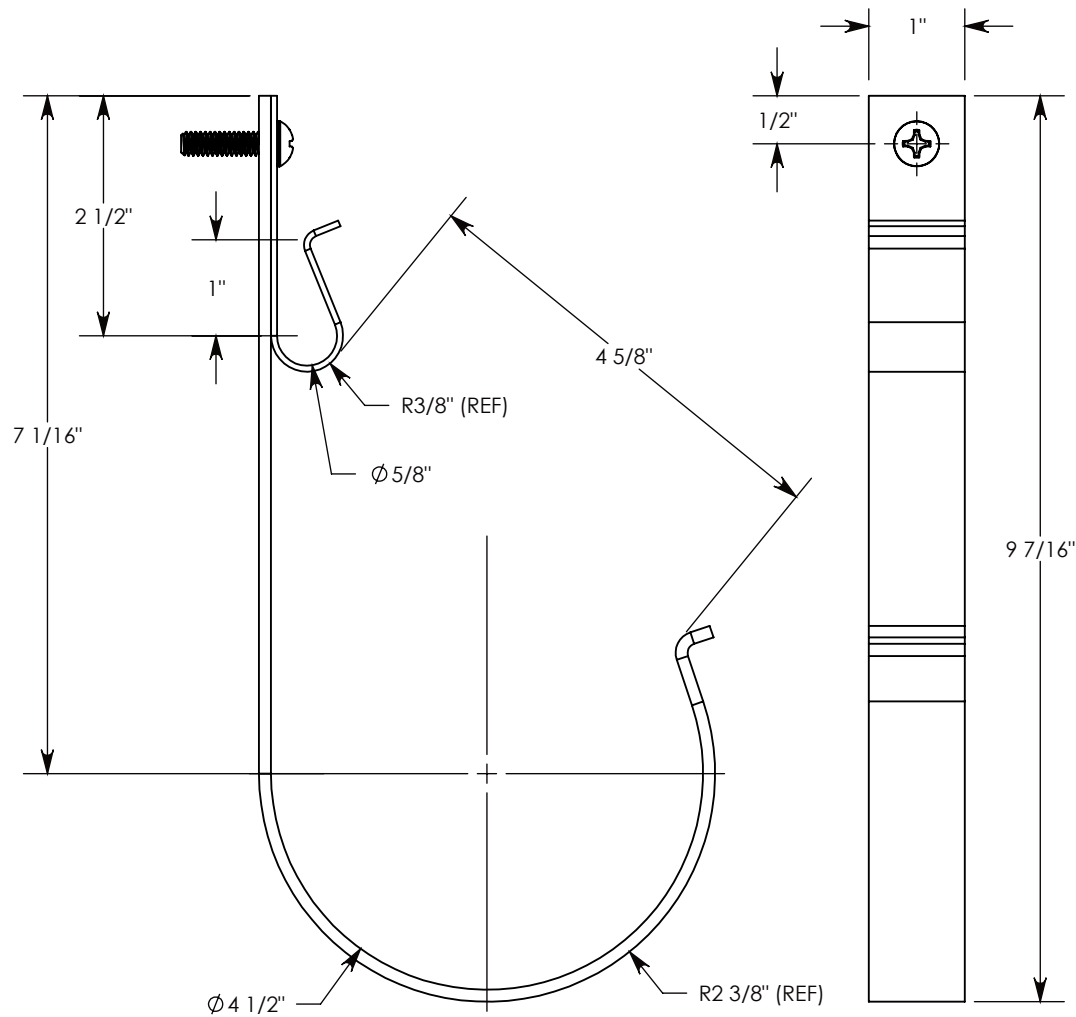


| ITEM NO. | PART NUMBER | DESCRIPTION | QTY. |
|----------|-------------|----------------------------------|------|
| 1 | 8002R-090 | CHANNEL SS CABLE CLIP | 1 |
| 2 | 8002R-000 | TRAFFIC CHANNEL SS CABLE CLIP | 1 |
| 3 | PHMS.25-1 | 1/4-20 X 1" PAN HEAD MACH. SCREW | 1 |



NOTE 1: MACHINE SCREW IS INCLUDED

NOTE 2: TRAFFIC RATED CHANNELS HAVE CAST-IN THREADED INSERTS FOR MOUNTING CABLE CLIPS.

DRAWN BY: ROBIN FLINT

DATE: 1/28/2017

REVISION LEVEL: A

WEIGHT:

0.7 LBS.

MATERIAL:

NOTED



1010 NORTH STAR DRIVE
P.O. BOX 69
ZUMBROTA, MN 55992-0069

DESCRIPTION:

TRAFFIC RATED CHANNEL DOUBLE CABLE CLIP

DIMENSIONS ARE IN INCHES
TOLERANCES:
FRACTIONAL: $\pm 1/8"$
ANGULAR: $\pm 2^\circ$

CONTACT INFORMATION:
EMAIL: INFO@CONCASTINC.COM
PHONE: (507) 732-4095
FAX: (507) 732-4094

SHEET 1 OF 3

PART NUMBER:

8002R-009