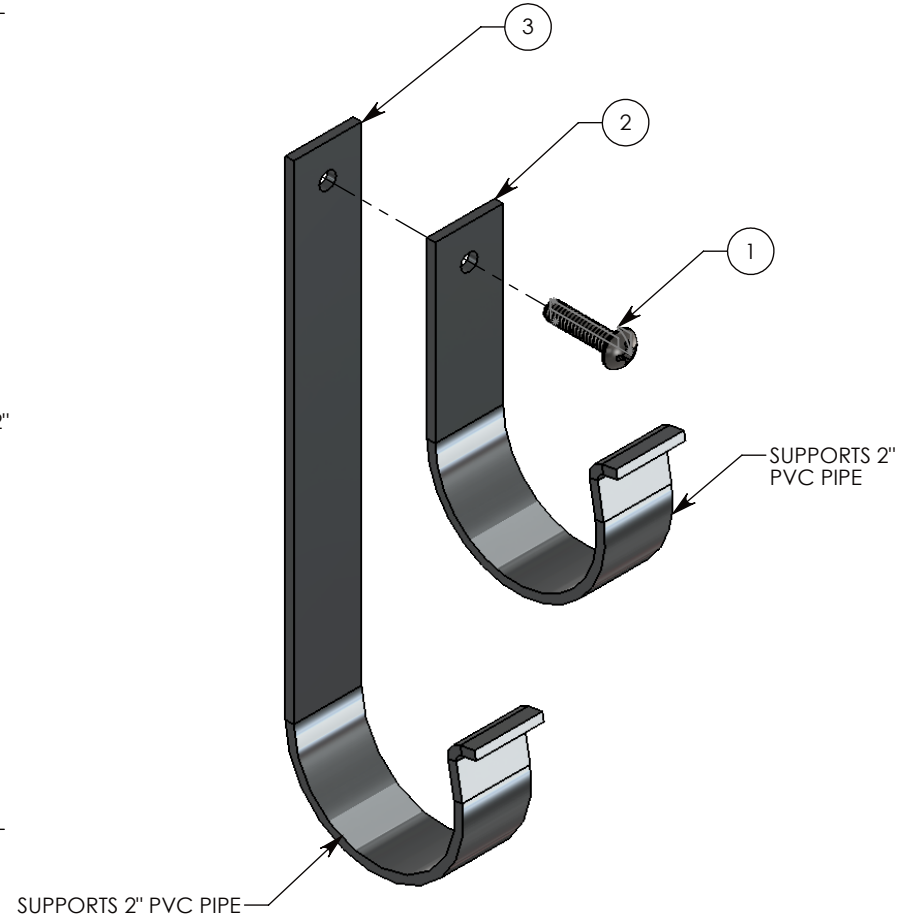
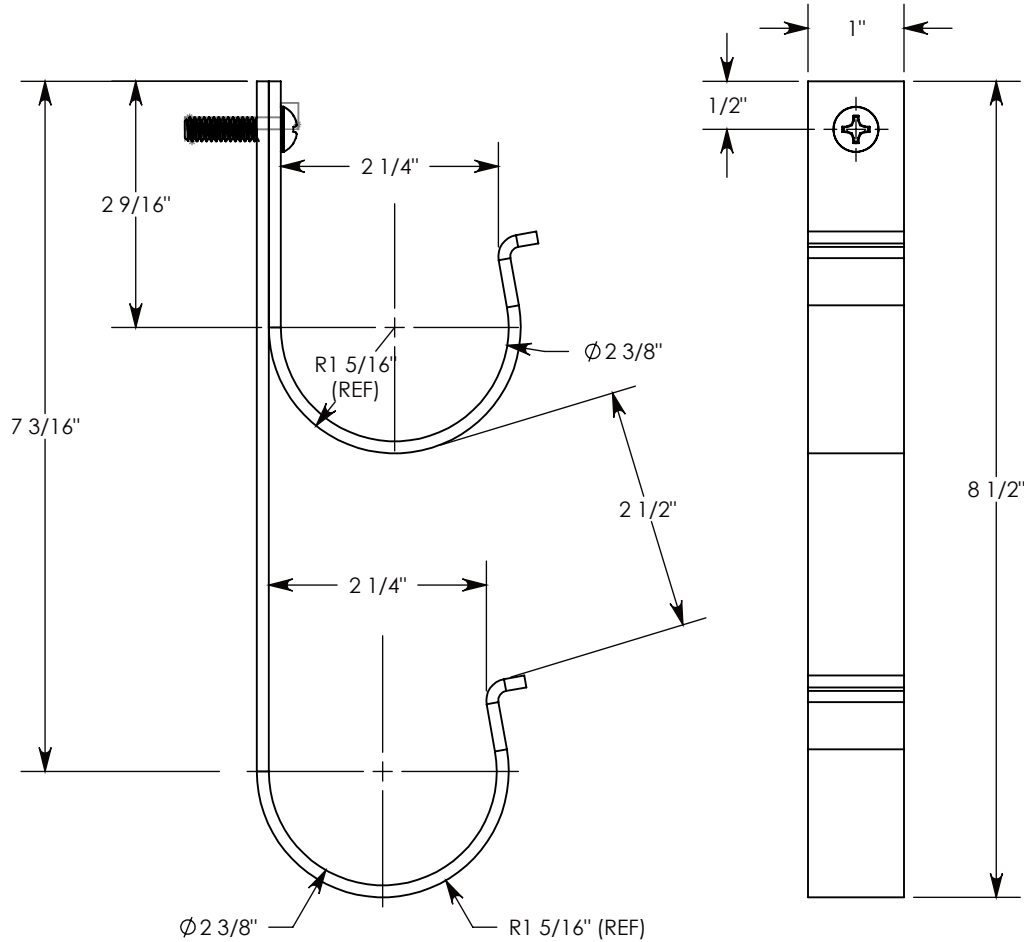


ITEM NO.	PART NUMBER	DESCRIPTION	QTY.
1	PHMS.25-1	1/4-20 X 1" PAN HEAD MACH. SCREW	1
2	8002R-040	CHANNEL SS CABLE CLIP	1
3	8002R-080	CHANNEL SS CABLE CLIP	1



NOTE 1: MACHINE SCREW IS INCLUDED

NOTE 2: TRAFFIC RATED CHANNELS HAVE CAST-IN THREADED INSERTS FOR MOUNTING CABLE CLIPS.

DRAWN BY: ROBIN FLINT

DATE: 1/28/2017

REVISION LEVEL: A

WEIGHT:

0.7 LBS.

MATERIAL:

NOTED



DESCRIPTION:

TRAFFIC RATED CHANNEL DOUBLE CABLE CLIP

DIMENSIONS ARE IN INCHES
TOLERANCES:
FRACTIONAL: $\pm 1/8"$
ANGULAR: $\pm 2^\circ$

CONTACT INFORMATION:
EMAIL: INFO@CONCASTINC.COM
PHONE: (507) 732-4095
FAX: (507) 732-4094

SHEET 1 OF 2

PART NUMBER:

8002R-011