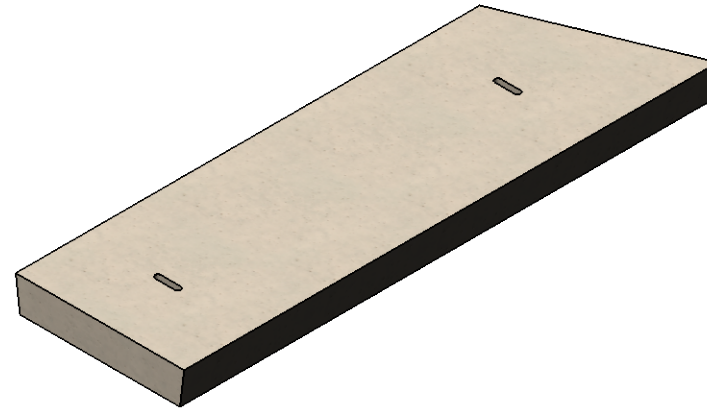
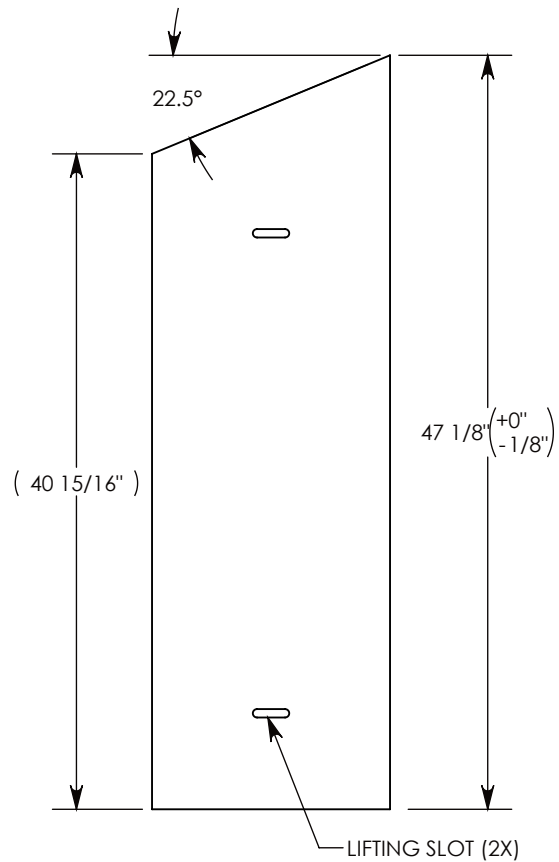


REV. A - RAL - 2/9/2018 - ADDED RECESS AND THRU HOLE, CHANGED LENGTH TO 23.125"

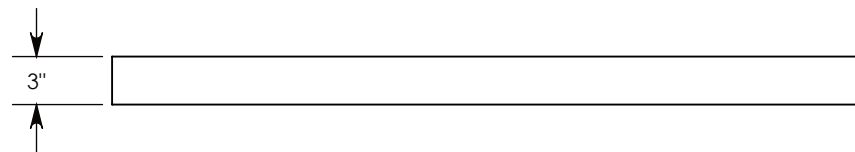
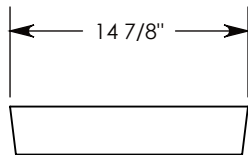
REV. B - RAL - 10/2/2018 - RAL - UPDATED WEIGHT

REV. C - JCG - 6/14/2021 - UPDATED STANDARD LENGTH TO 4 FT

REV. D - SIC - 7/29/2021 - CHANGED LIFTING INSERTS TO LIFTING SLOTS; CHANGED MATERIAL TO POLYMER, WAS POLYMER CONCRETE; UPDATED WEIGHT TO 139 LBS, WAS 135 LBS; UPDATED DIMENSIONS



COVER ASSEMBLES ONTO 10" OR 12" INSIDE WIDTH
HEAVY TRAFFIC RATED CONCAST HT3 CHANNEL



AASHTO H-20 RATED – 32,000 LB. SINGLE AXLE LOAD

DRAWN BY: **JESSE GUTTING**

CREATED DATE: **8/22/2002** REVISION LEVEL: **D**

SAVED DATE: **8/20/2021** SAVED BY: **jgutting**

WEIGHT: **138 LBS.** MATERIAL: **POLYMER**

CONCAST
1010 NORTH STAR DRIVE
P.O. BOX 69
ZUMBROTA, MN 55992-0069

DESCRIPTION:
HEAVY TRAFFIC COVER

DIMENSIONS ARE IN INCHES
TOLERANCES:
FRACTIONAL: ± 1/8"
ANGULAR: ± 2°

CONTACT INFORMATION:
EMAIL: INFO@CONCASTINC.COM
PHONE: (507) 732-4095
FAX: (507) 732-4094

SHEET 1 OF 1

PART NUMBER:
8011HT3P 22.5L