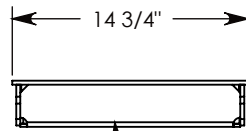
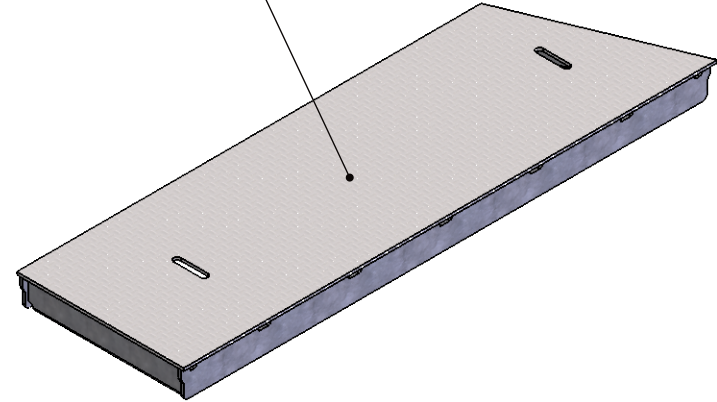
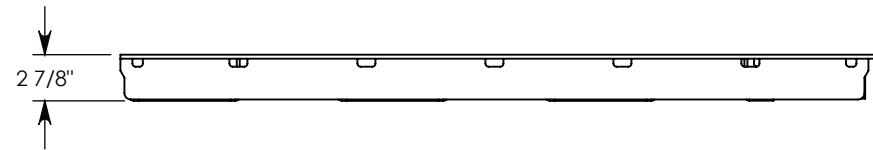


GALVANIZED STEEL TREAD PLATE



Ø 5/8" GROUNDING HOLES IN BOTTOM



NOTE 1: FOR NON-STANDARD LENGTHS, THE PART NUMBER WILL CORRESPOND TO IT'S MEASURED LENGTH. IE: 8011HTSG 22.5L 20"

NOTE 2: TREAD ON DIAMOND PLATE ADDS 1/8" TO THE OVERALL HEIGHT

AASHTO H-40 RATED - 64,000 LB. SINGLE AXLE LOAD

DRAWN BY: JESSE GUTTING		 1010 NORTH STAR DRIVE P.O. BOX 69 ZUMBROTA, MN 55992-0069	DESCRIPTION: HEAVY TRAFFIC GALV. STEEL COVER		
CREATED DATE: 3/21/2011	REVISION LEVEL: C		DIMENSIONS ARE IN INCHES TOLERANCES: FRACTIONAL: ± 1/8" ANGULAR: ± 2°	CONTACT INFORMATION: EMAIL: INFO@CONCASTINC.COM PHONE: (507) 732-4095 FAX: (507) 732-4094	SHEET 1 OF 2
SAVED DATE: 7/22/2021	SAVED BY: jgutting		PART NUMBER: 8011HTSG 22.5L		
WEIGHT: 97 LBS.	MATERIAL: GALVANIZED STEEL				