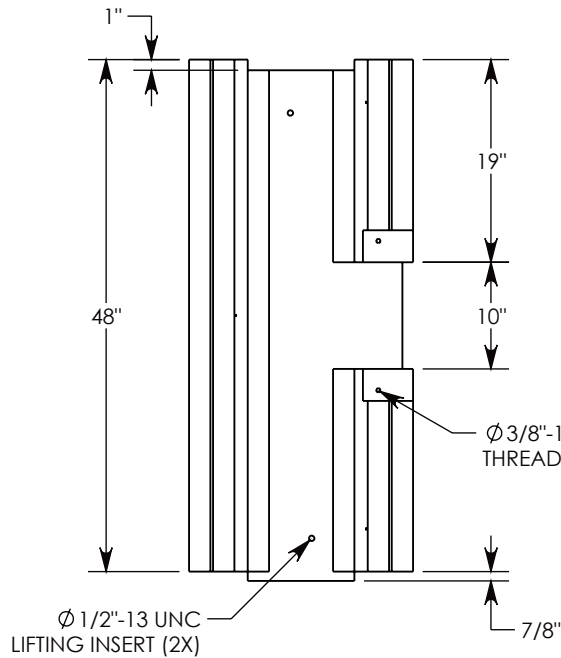


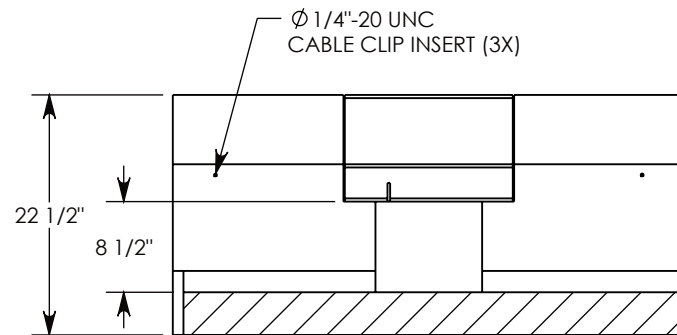
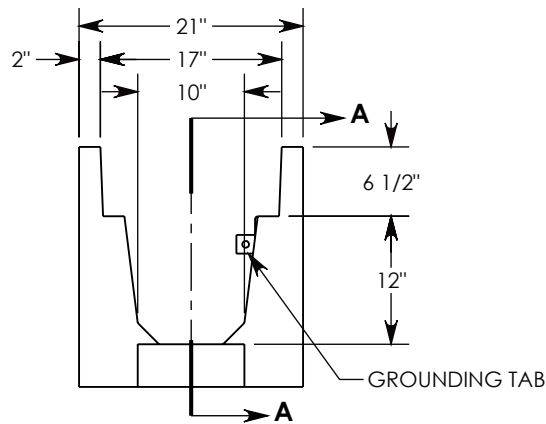
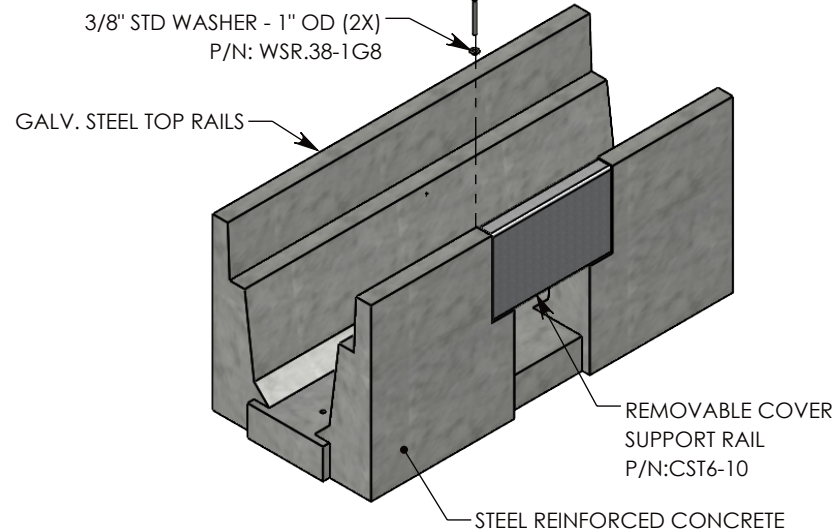
REV. A - DRB - 7/21/2023 - UPDATED TO USE COVER SUPPORT

REV. B - SIC - 9/13/2023 - UPDATED ANNOTATIONS; ADDED AND UPDATED DIMENSIONS; REPLACED RIGHT VIEW WITH SECTION A-A; $\phi 1/2$ "-13 UNC INSERT QUANTITY (2X), WAS (4X); UPDATED WEIGHT RATING TO H-40, WAS H-20



CST HIDDEN IN VIEW

- 3/8-16 UNC X 4" LG HEX HD BOLT, GRADE 8 (2X)
P/N: HHB.38-4G8
- 3/8" STD WASHER - 1" OD (2X)
P/N: WSR.38-1G8



SECTION A-A

MAX AASHTO H-40 RATED - 64,000 LB. SINGLE AXLE LOAD.
DEPENDENT ON TRENCH COVER RATING

DRAWN BY: ROBIN LEWIS

CREATED DATE: 7/14/2008 **REVISION LEVEL:** B

SAVED DATE: 9/15/2023 **SAVED BY:** scallahan

WEIGHT: 875 LBS. **MATERIAL:** NOTED

1010 NORTH STAR DRIVE
P.O. BOX 69
ZUMBROTA, MN 55992-0069

DESCRIPTION:

HEAVY TRAFFIC UNIVERSAL CHANNEL

DIMENSIONS ARE IN INCHES
TOLERANCES:
FRACTIONAL: $\pm 1/8$ "
ANGULAR: $\pm 2^\circ$

CONTACT INFORMATION:
EMAIL: INFO@CONCASTINC.COM
PHONE: (507) 732-4095
FAX: (507) 732-4094

SHEET 1 OF 1

PART NUMBER:

8012HT (10X0)