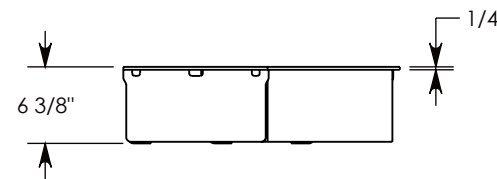
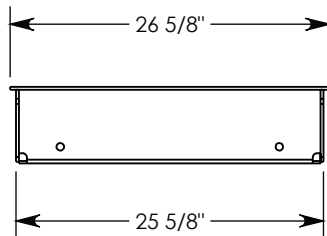
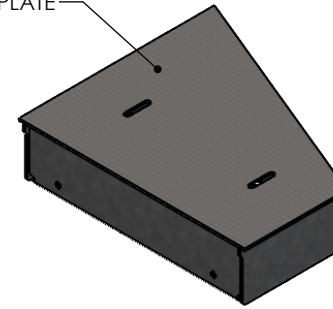


GALVANIZED STEEL TREAD PLATE



NOTE 1: TREAD ON DIAMOND PLATE ADDS 1/8" TO THE OVERALL HEIGHT

AASHTO H-40 RATED - 64,000 LB. SINGLE AXLE LOAD

<b>DRAWN BY: TOM JANSEN</b>	
<b>CREATED DATE: 4/7/2023</b>	<b>REVISION LEVEL: 0</b>
<b>SAVED DATE: 4/7/2023</b>	<b>SAVED BY: tjansen</b>
<b>WEIGHT: 88 LBS.</b>	<b>MATERIAL: GALVANIZED STEEL</b>



1010 NORTH STAR DRIVE  
P.O. BOX 69  
ZUMBROTA, MN 55992-0069

<b>DESCRIPTION:</b>		SHEET 1 OF 1
<b>HEAVY TRAFFIC GALV. STEEL COVER</b>		
DIMENSIONS ARE IN INCHES	CONTACT INFORMATION:	
TOLERANCES:	EMAIL: INFO@CONCASTINC.COM	
FRACTIONAL: ± 1/8"	PHONE: (507) 732-4095	
ANGULAR: ± 2°	FAX: (507) 732-4094	
<b>PART NUMBER:</b>		
<b>8021HTSG40 22.5R</b>		