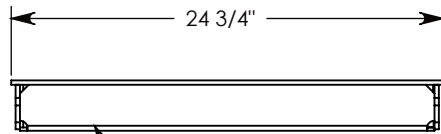
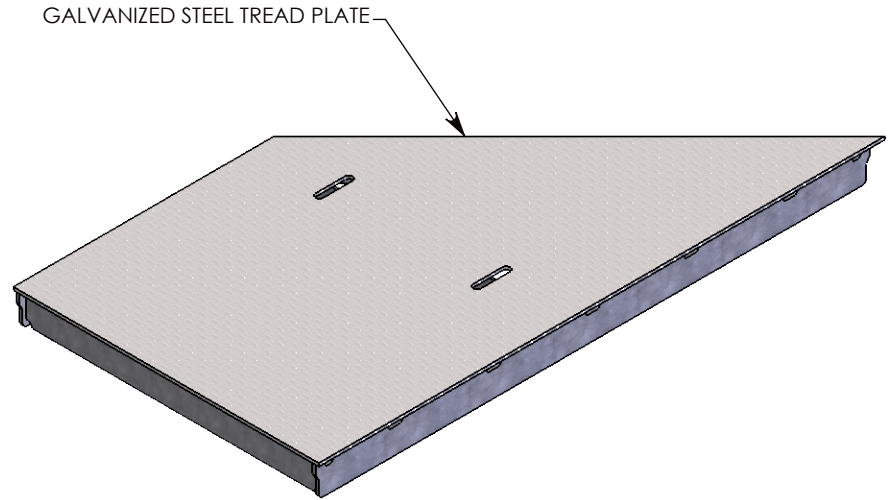


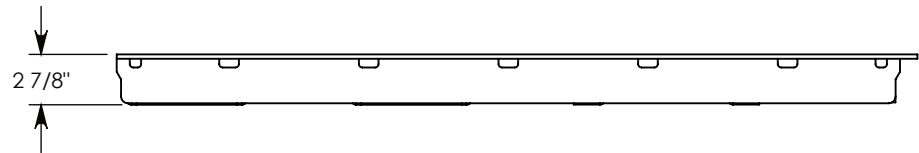
LIFTING SLOT (2X)



$\phi 5/8"$ GROUNDING HOLES IN BOTTOM



GALVANIZED STEEL TREAD PLATE



NOTE 1: FOR NON-STANDARD LENGTHS, THE PART NUMBER WILL CORRESPOND TO IT'S MEASURED LENGTH. IE: 8021HTSG 45L 36"

NOTE 2: TREAD ON DIAMOND PLATE ADDS 1/8" TO THE OVERALL HEIGHT

AASHTO H-40 RATED - 64,000 LB. SINGLE AXLE LOAD

DRAWN BY: JESSE GUTTING	
CREATED DATE: 3/21/2011	REVISION LEVEL: C
SAVED DATE: 7/22/2021	SAVED BY: jgutting
WEIGHT: 121 LBS.	MATERIAL: GALVANIZED STEEL

CONCAST
1010 NORTH STAR DRIVE
P.O. BOX 69
ZUMBROTA, MN 55992-0069

DESCRIPTION: HEAVY TRAFFIC GALV. STEEL COVER		SHEET 1 OF 2
DIMENSIONS ARE IN INCHES TOLERANCES: FRACTIONAL: $\pm 1/8"$ ANGULAR: $\pm 2^\circ$	CONTACT INFORMATION: EMAIL: INFO@CONCASTINC.COM PHONE: (507) 732-4095 FAX: (507) 732-4094	
PART NUMBER: 8021HTSG 45L		