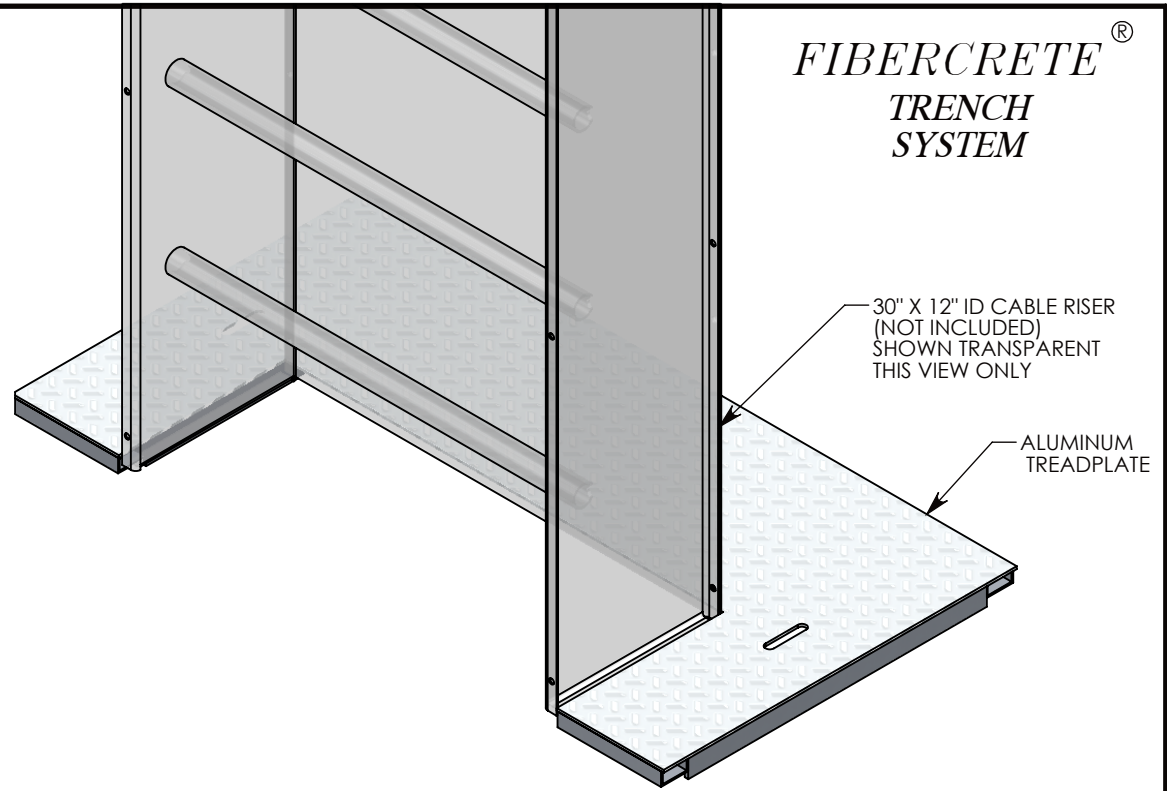
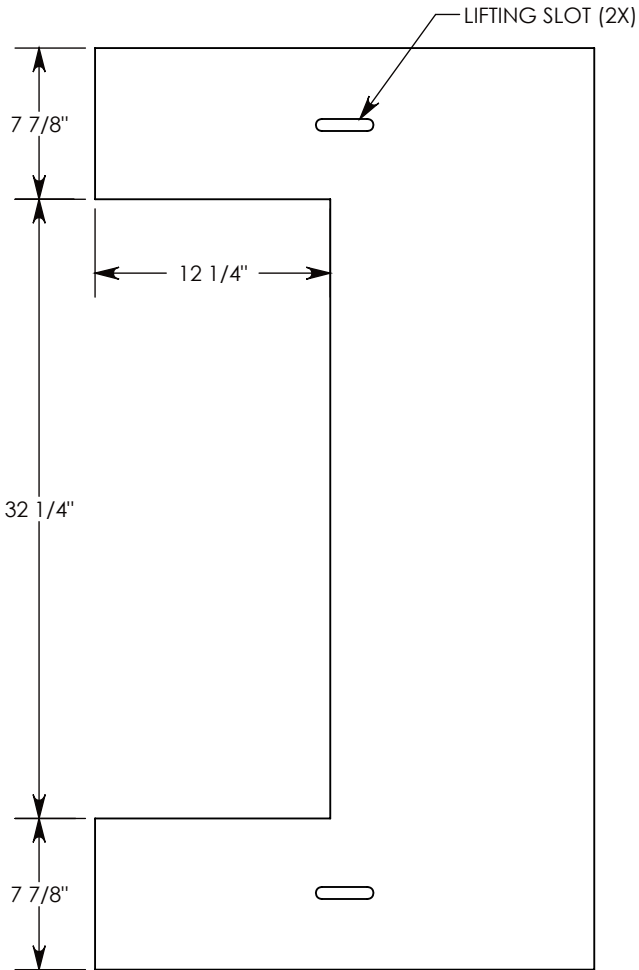
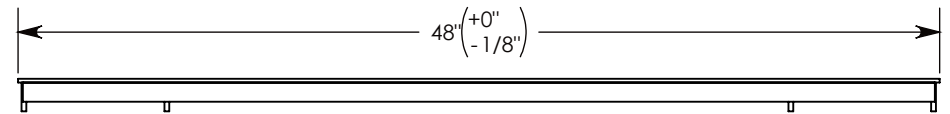
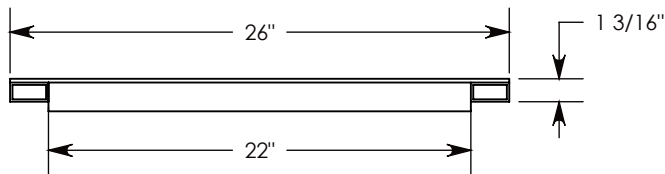


**FIBERCRETE®**  
**TRENCH**  
**SYSTEM**



COVER ASSEMBLES ONTO 20" INSIDE WIDTH  
 PEDESTRIAN RATED CONCAST PT CHANNEL.



PEDESTRIAN RATED - 200 LB. PER SQ. FOOT

**DRAWN BY: ROBIN FLINT**

**DATE: 1/20/2016**

**REVISION LEVEL: 0**

**WEIGHT:**

**24 LBS.**

**MATERIAL:**

**WELDED ALUMINUM**

**CONCAST**  
 1010 NORTH STAR DRIVE  
 P.O. BOX 69  
 ZUMBROTA, MN 55992-0069

**DESCRIPTION:**

**CABLE RISER NOTCHED AL TRENCH COVER**

DIMENSIONS ARE IN INCHES  
 TOLERANCES:  
 FRACTIONAL: ± 1/8"  
 ANGULAR: ± 2°

CONTACT INFORMATION:  
 EMAIL: INFO@CONCASTINC.COM  
 PHONE: (507) 732-4095  
 FAX: (507) 732-4094

SHEET 1 OF 2

**PART NUMBER:**

**8021PTATN (32X12)**