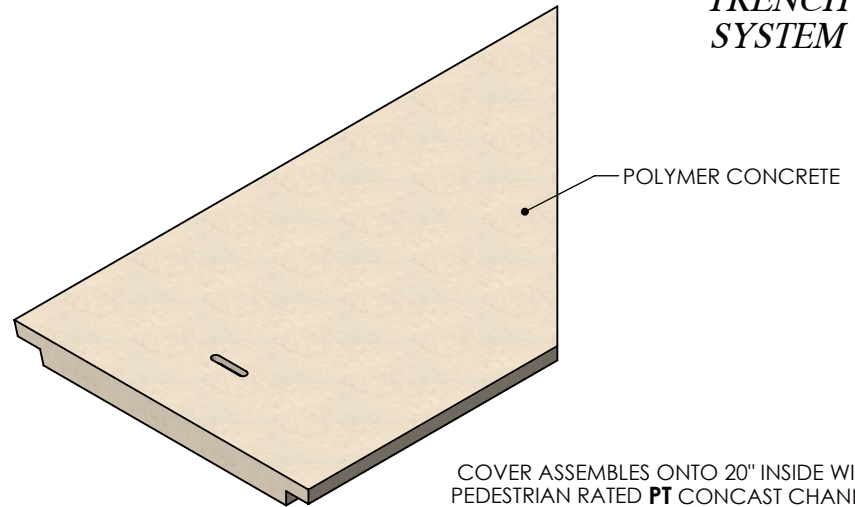
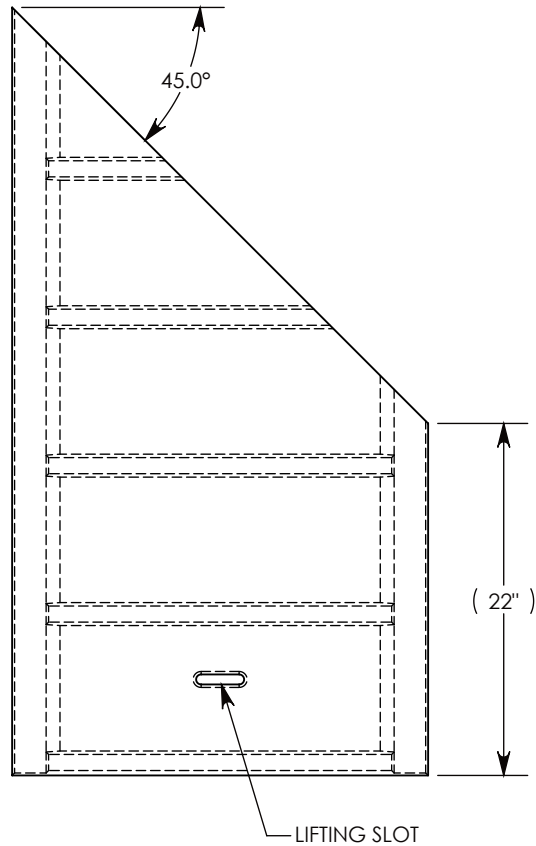
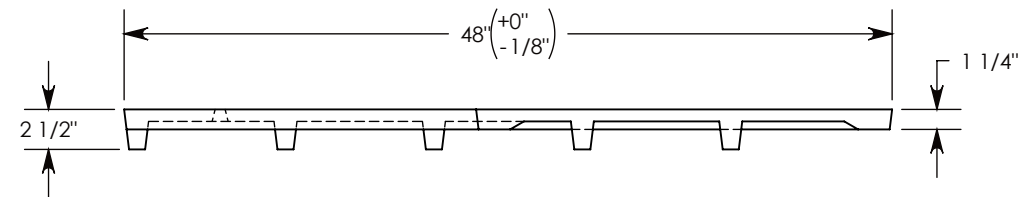
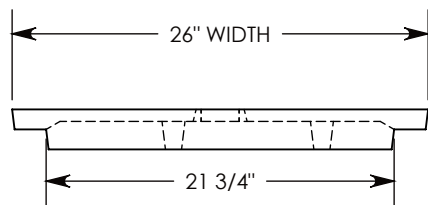


**FIBERCRETE®**  
**TRENCH**  
**SYSTEM**



COVER ASSEMBLES ONTO 20" INSIDE WIDTH PEDESTRIAN RATED **PT** CONCAST CHANNEL.



**NOTE 1:** FOR NON-STANDARD LENGTHS, THE PART NUMBER WILL CORRESPOND TO IT'S MEASURED LENGTH. IE: 8021PTP 45R 42"

PEDESTRIAN RATED - 200 LB. PER SQ. FOOT

<b>DRAWN BY: ROBIN FLINT</b>	
<b>DATE: 10/4/2018</b>	<b>REVISION LEVEL: 0</b>
<b>WEIGHT: 66 LBS.</b>	<b>MATERIAL: POLYMER CONCRETE</b>

**CONCAST**  
 1010 NORTH STAR DRIVE  
 P.O. BOX 69  
 ZUMBROTA, MN 55992-0069

<b>DESCRIPTION:</b> <b>PED. POLYMER COVER 45 DEG. ANGLE</b>		SHEET 1 OF 1
DIMENSIONS ARE IN INCHES TOLERANCES: FRACTIONAL: ± 1/8" ANGULAR: ± 2°	CONTACT INFORMATION: EMAIL: INFO@CONCASTINC.COM PHONE: (507) 732-4095 FAX: (507) 732-4094	
<b>PART NUMBER:</b> <b>8021PTP 45R</b>		