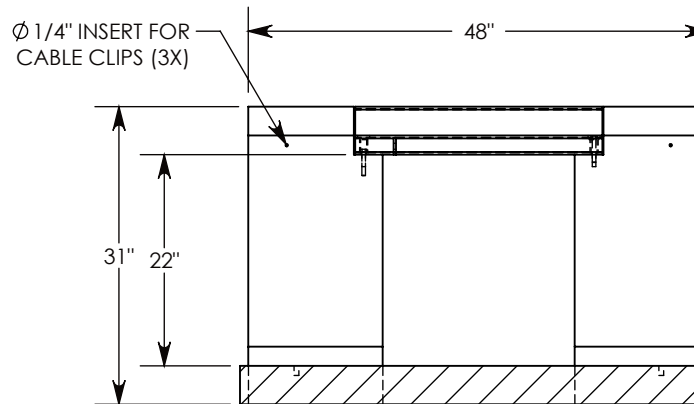
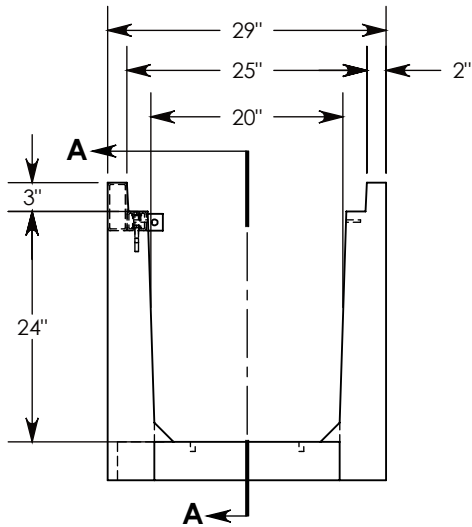
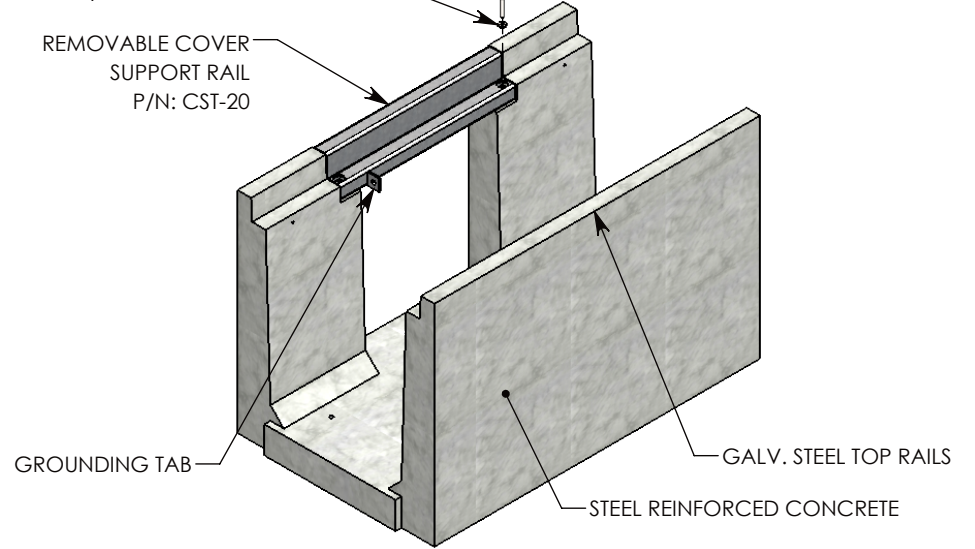


3/8-16 UNC X 2.50" LG HEX HD BOLT, GRADE 8  
 P/N: HHB.38-2.5G8 QTY: 2  
 3/8" STD WASHER - 1" OD  
 P/N: WSR.38-1 QTY: 2



**SECTION A-A**

AASHTO H-20 RATED - 32,000 LB. SINGLE AXLE LOAD

<b>DRAWN BY:</b> ROSS LAGER	
<b>CREATED DATE:</b> 7/14/2008	<b>REVISION LEVEL:</b> A
<b>SAVED DATE:</b> 1/28/2020	<b>SAVED BY:</b> scallahan
<b>WEIGHT:</b> 1196 LBS.	<b>MATERIAL:</b> NOTED

1010 NORTH STAR DRIVE  
 P.O. BOX 69  
 ZUMBROTA, MN 55992-0069

**DESCRIPTION:**  
**HEAVY TRAFFIC UNIVERSAL CHANNEL**

DIMENSIONS ARE IN INCHES  
 TOLERANCES:  
 FRACTIONAL:  $\pm 1/8$ "  
 ANGULAR:  $\pm 2^\circ$

CONTACT INFORMATION:  
 EMAIL: INFO@CONCASTINC.COM  
 PHONE: (507) 732-4095  
 FAX: (507) 732-4094

SHEET 1 OF 1

**PART NUMBER:**  
**802224HT3 (0X20)**