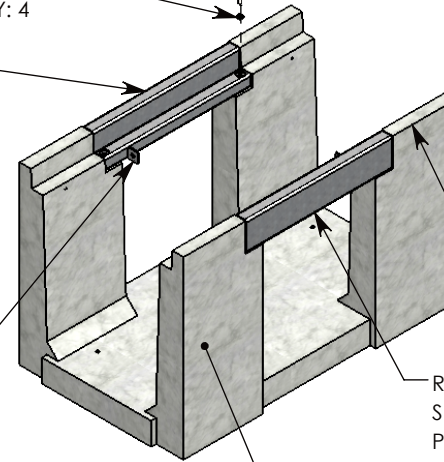


3/8-16 UNC X 2.50" LG HEX HD BOLT, GRADE 8
 P/N: HHB.38-2.5G8 QTY: 4

3/8" STD WASHER - 1" OD
 P/N: WSR.38-1 QTY: 4

REMOVABLE COVER
 SUPPORT RAIL
 P/N: CST-20

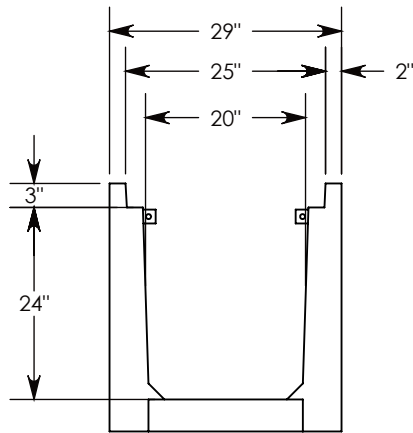
GROUNDING TAB



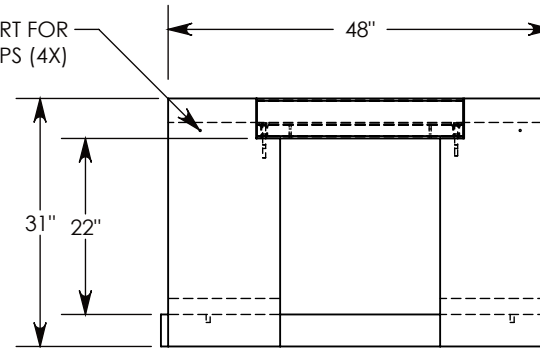
GALV. STEEL TOP RAILS

REMOVABLE COVER
 SUPPORT RAIL
 P/N: CST-20

STEEL REINFORCED CONCRETE



$\phi 1/4$ " INSERT FOR
 CABLE CLIPS (4X)



AASHTO H-20 RATED - 32,000 LB. SINGLE AXLE LOAD

DRAWN BY: ROSS LAGER

CREATED DATE: 7/14/2008

REVISION LEVEL: A

SAVED DATE: 1/28/2020

SAVED BY: scallahan

WEIGHT:
 1018 LBS.

MATERIAL:
 NOTED


CONCAST
 1010 NORTH STAR DRIVE
 P.O. BOX 69
 ZUMBROTA, MN 55992-0069

DESCRIPTION:

HEAVY TRAFFIC UNIVERSAL CHANNEL

DIMENSIONS ARE IN INCHES
 TOLERANCES:
 FRACTIONAL: $\pm 1/8$ "
 ANGULAR: $\pm 2^\circ$

CONTACT INFORMATION:
 EMAIL: INFO@CONCASTINC.COM
 PHONE: (507) 732-4095
 FAX: (507) 732-4094

SHEET 1 OF 1

PART NUMBER:

802224HT3 (20X20)