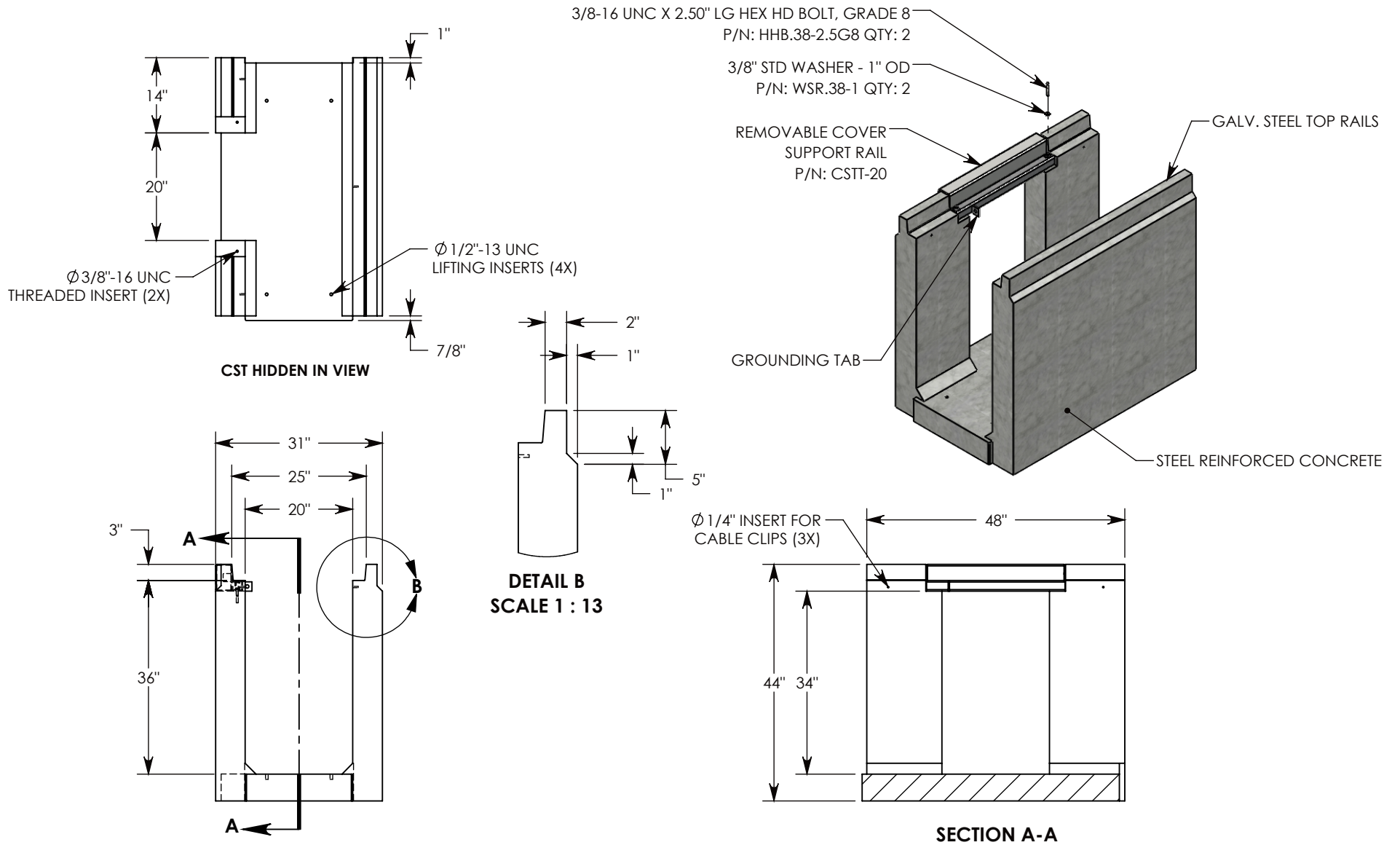


REV. A - SIC - 8/23/2019 - ADDED CABLE CLIP INSERTS; UPDATED VIEWS AND ANNOTATIONS

REV. B - SIC - 10/7/2020 - ADDED TOP RAIL REDUCTION FEATURE TO CHANGE TOP RAIL TO 2", WAS 3"; ADDED DETAIL B; REVISED CSTT DESIGN



AASHTO H-20 RATED - 32,000 LB. SINGLE AXLE LOAD

DRAWN BY: ROSS LAGER	
CREATED DATE: 1/17/2019	REVISION LEVEL: B
SAVED DATE: 10/7/2020	SAVED BY: scallahan
WEIGHT: 1898 LBS.	MATERIAL: NOTED



CONCAST
 1010 NORTH STAR DRIVE
 P.O. BOX 69
 ZUMBROTA, MN 55992-0069

DESCRIPTION: HEAVY TRAFFIC UNIVERSAL	
DIMENSIONS ARE IN INCHES TOLERANCES: FRACTIONAL: ± 1/8" ANGULAR: ± 2°	CONTACT INFORMATION: EMAIL: INFO@CONCASTINC.COM PHONE: (507) 732-4095 FAX: (507) 732-4094
PART NUMBER: 802236HT3 (0X20)	
SHEET 1 OF 1	