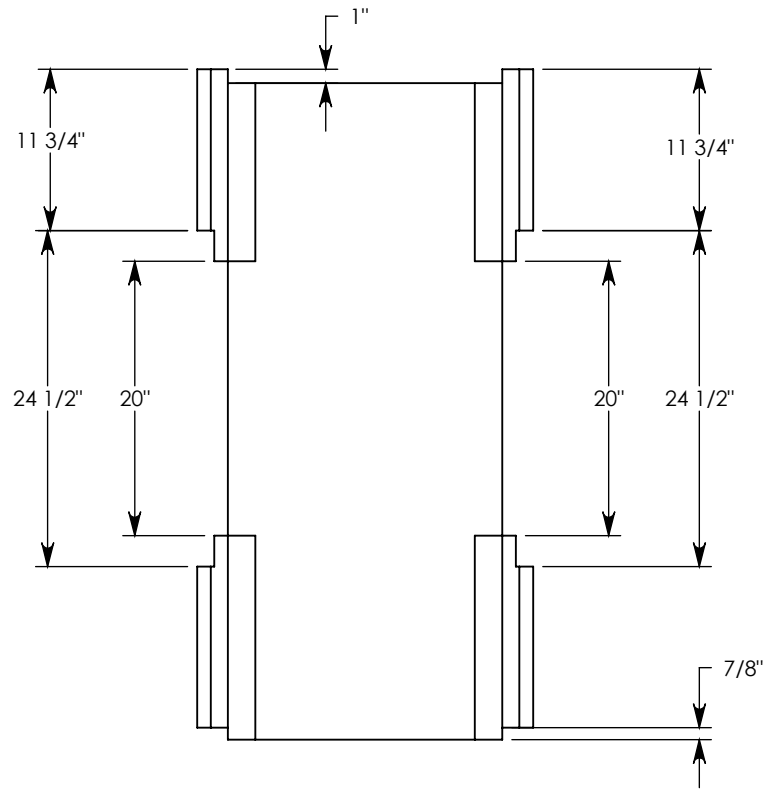
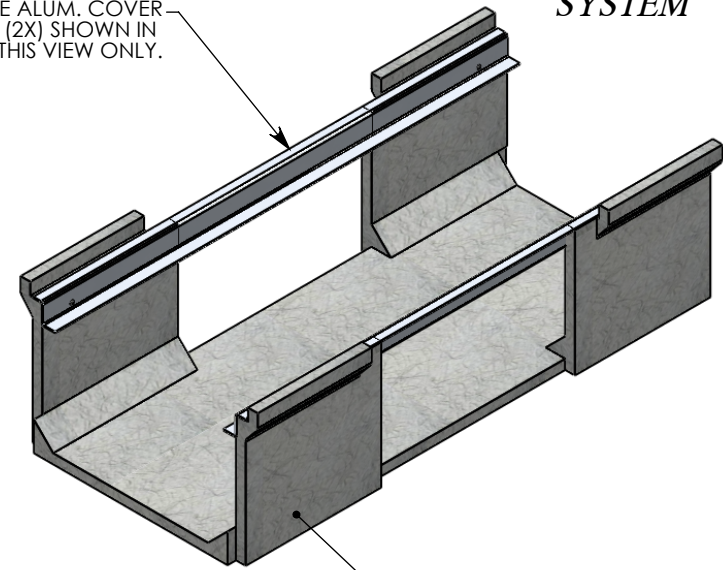


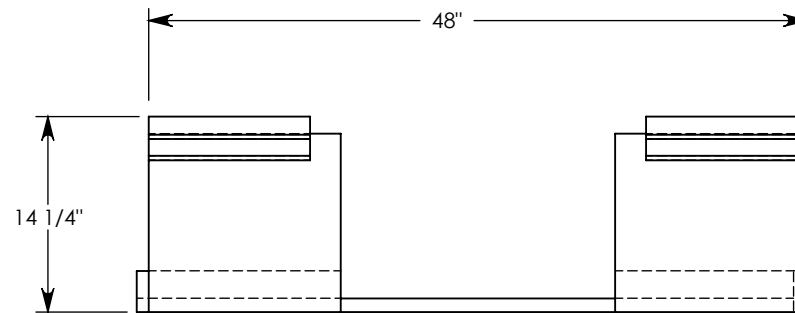
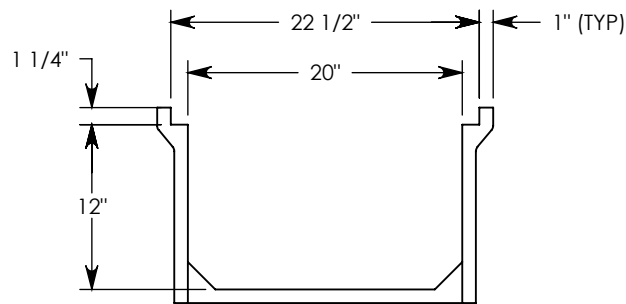
**FIBERCRETE<sup>®</sup>**  
**TRENCH SYSTEM**



REMOVEABLE ALUM. COVER  
 SUPPORT (2X) SHOWN IN  
 THIS VIEW ONLY.



FIBER AND STEEL  
 REINFORCED CONCRETE



PEDESTRIAN RATED - 200 LB. PER SQ. FOOT

**DRAWN BY: ROBIN LEWIS**

**DATE: 6/9/2011**

**REVISION LEVEL: 0**

**WEIGHT:**

**145 LBS.**

**MATERIAL:**

**FIBERCRETE**



**DESCRIPTION:**

**FLUSH CHANNEL UNIVERSAL**

DIMENSIONS ARE IN INCHES

TOLERANCES:  
 FRACTIONAL: ± 1/8"  
 ANGULAR: ± 2°

CONTACT INFORMATION:

EMAIL: INFO@CONCASTINC.COM  
 PHONE: (507) 732-4095  
 FAX: (507) 732-4094

SHEET 1 OF 1

**PART NUMBER:**

**8022F (20X20)**