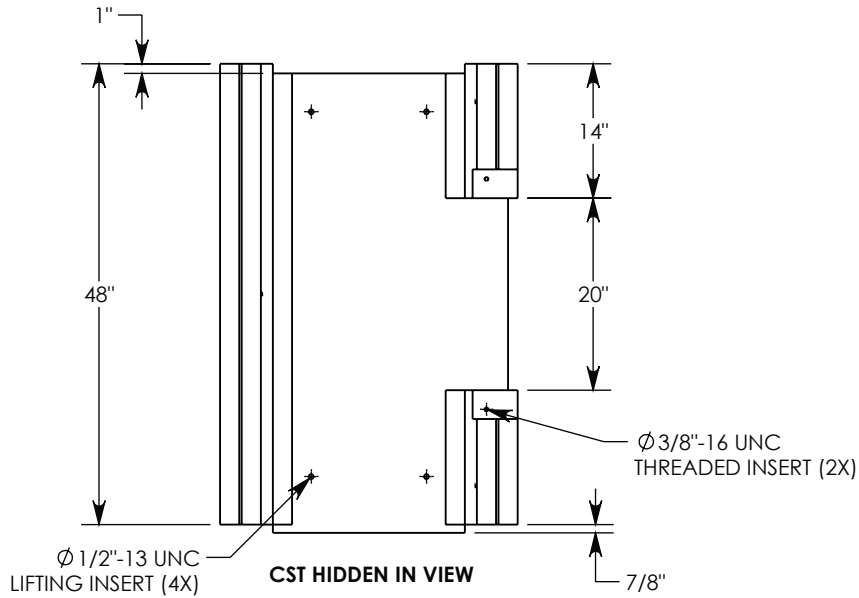


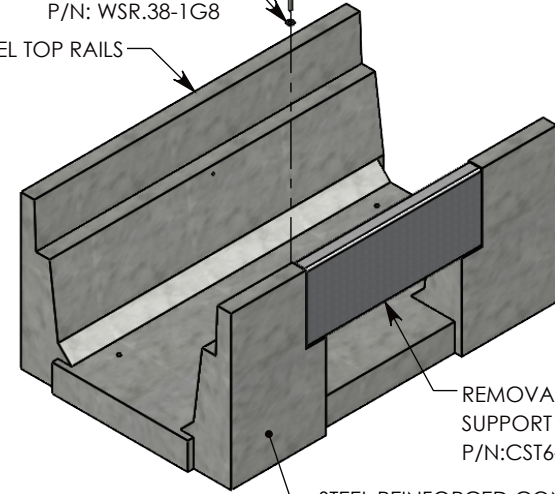
REV. A - DRB - 7/21/2023 - UPDATED TO USE COVER SUPPORT. RF-8/18/23 SECONDARY EDITS
 REV. B - SIC - 9/13/2023 - UPDATED ANNOTATIONS AND DIMENSIONS; FLIPPED SECTION A-A; UPDATED WEIGHT RATING TO H-40, WAS H-20



3/8-16 UNC X 4" LG HEX HD BOLT, GRADE 8 (2X)
 P/N: HHB.38-4G8

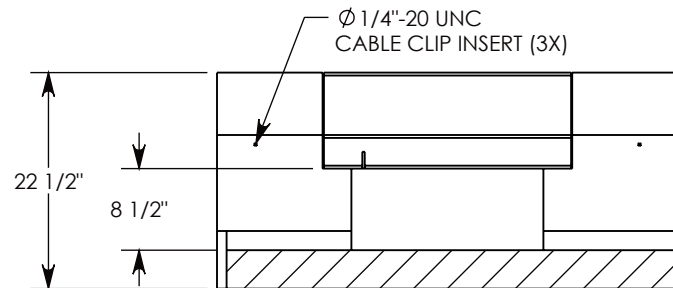
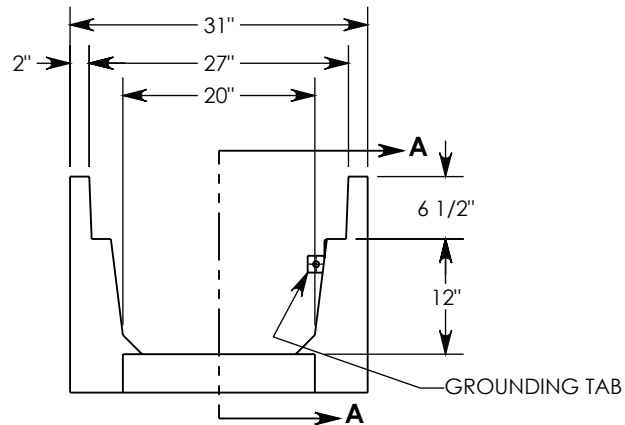
3/8" STD WASHER - 1" OD (2X)
 P/N: WSR.38-1G8

GALV. STEEL TOP RAILS



REMOVABLE COVER SUPPORT RAIL
 P/N: CST6-20

STEEL REINFORCED CONCRETE



SECTION A-A

MAX AASHTO H-40 RATED - 64,000 LB. SINGLE AXLE LOAD.
 DEPENDENT ON TRENCH COVER RATING

DRAWN BY: ROBIN LEWIS

CREATED DATE: 7/14/2008 **REVISION LEVEL: B**

SAVED DATE: 9/15/2023 **SAVED BY: scallahan**

WEIGHT: 987 LBS. **MATERIAL: NOTED**

CONCAST
 1010 NORTH STAR DRIVE
 P.O. BOX 69
 ZUMBROTA, MN 55992-0069

DESCRIPTION:

HEAVY TRAFFIC UNIVERSAL CHANNEL

DIMENSIONS ARE IN INCHES
 TOLERANCES:
 FRACTIONAL: ± 1/8"
 ANGULAR: ± 2°

CONTACT INFORMATION:
 EMAIL: INFO@CONCASTINC.COM
 PHONE: (507) 732-4095
 FAX: (507) 732-4094

SHEET 1 OF 1

PART NUMBER:

8022HT (20X0)