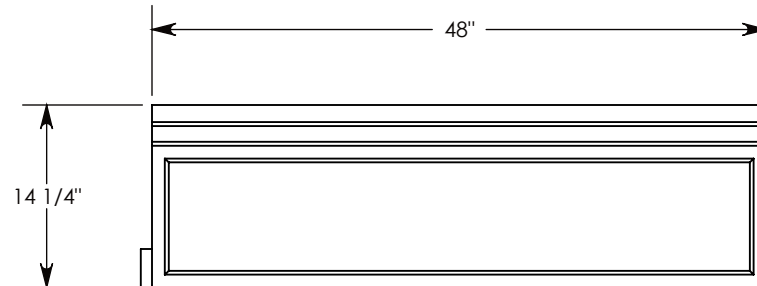
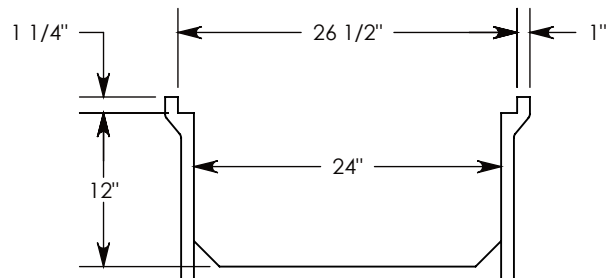
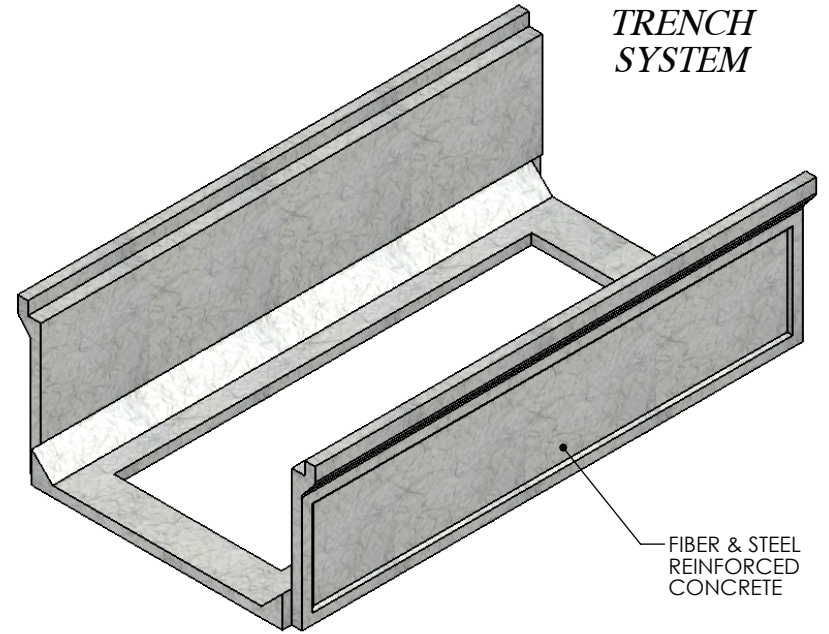
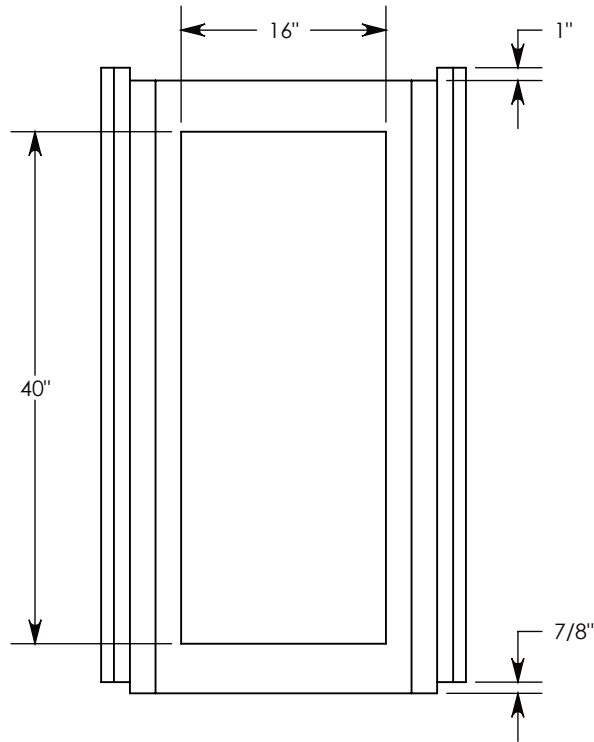


**FIBERCRETE<sup>®</sup>**  
**TRENCH**  
**SYSTEM**



NOTE: FOR NON-STANDARD LENGTHS THE CHANNEL WILL BE SOLID BOTTOM AND DESIGNATED WITH ITS CORRESPONDING LENGTH MEASUREMENT. IE: 8020F 32"

PEDESTRIAN RATED - 200 LB. PER SQ. FOOT

**DRAWN BY: ROBIN LEWIS**

**DATE: 2/20/2017**

**REVISION LEVEL: 0**

**WEIGHT:**

**140 LBS.**

**MATERIAL:**

**NOTED**

**CONCAST**  
 1010 NORTH STAR DRIVE  
 P.O. BOX 69  
 ZUMBROTA, MN 55992-0069

**DESCRIPTION:**

**FLUSH PEDESTRIAN CHANNEL**

DIMENSIONS ARE IN INCHES  
 TOLERANCES:  
 FRACTIONAL: ± 1/8"  
 ANGULAR: ± 2°

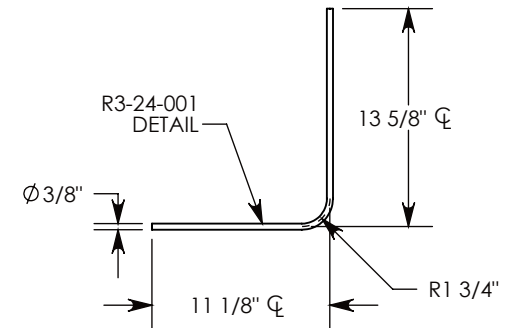
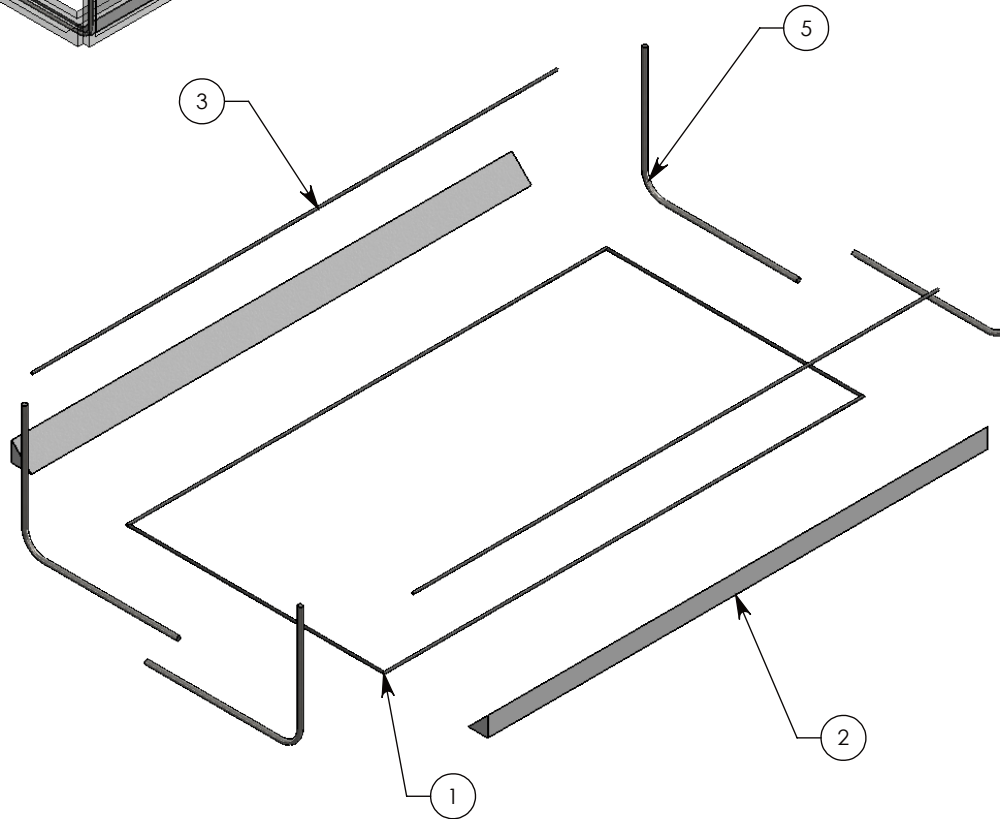
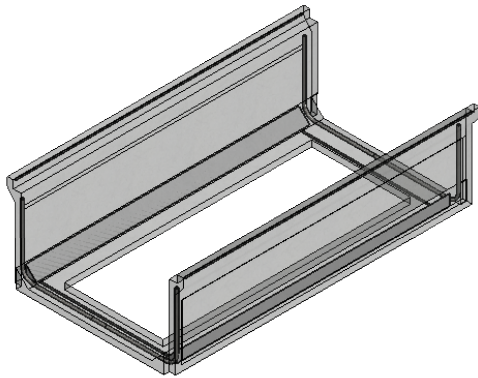
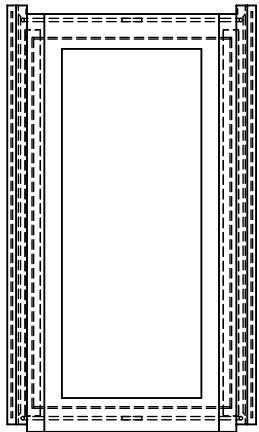
CONTACT INFORMATION:  
 EMAIL: INFO@CONCASTINC.COM  
 PHONE: (507) 732-4095  
 FAX: (507) 732-4094

SHEET 1 OF 1

**PART NUMBER:**

**8024F**

ITEM NO.	PART NUMBER	DESCRIPTION	QTY.
1	C8024	REBAR CAGE FOR 24" PED CHANNELS	1
2	DP31570	FOAM CORNER - 44 1/4" LONG	2
3	D3-46.5	46 1/2" LONG D3 WIRE	2
4	MIX-FIBERSPRAY	FIBERCRETE (CUBIC INCHES)	2052
5	R3-24-001	24" LONG #3 REBAR - BENT	4



**DRAWN BY: JESSE GUTTING**

**DATE: 2/20/2017**

**REVISION LEVEL: 0**

**WEIGHT:**

**140 LBS.**

**MATERIAL:**

**NOTED**



**DESCRIPTION:**

**FLUSH PEDESTRIAN CHANNEL**

DIMENSIONS ARE IN INCHES  
TOLERANCES:  
FRACTIONAL: ± 1/8"  
ANGULAR: ± 2°

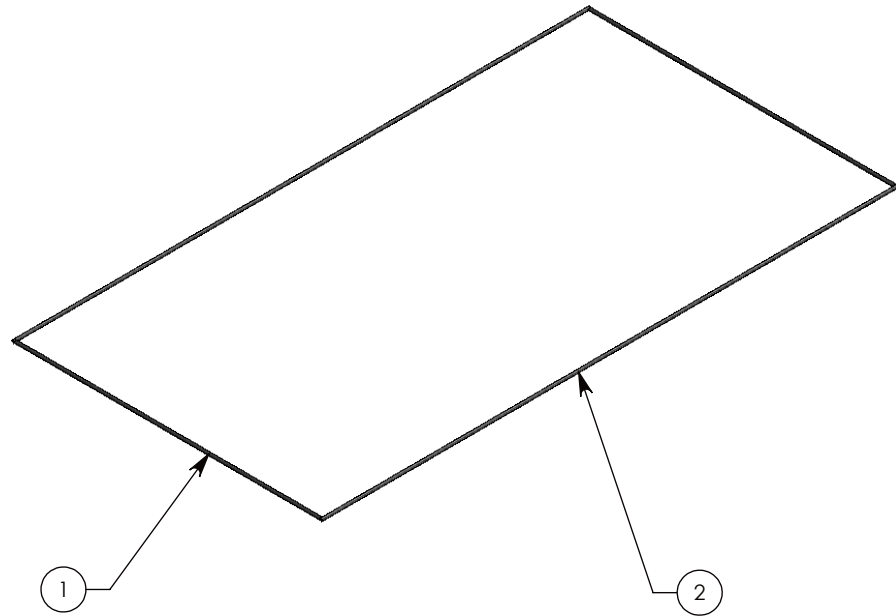
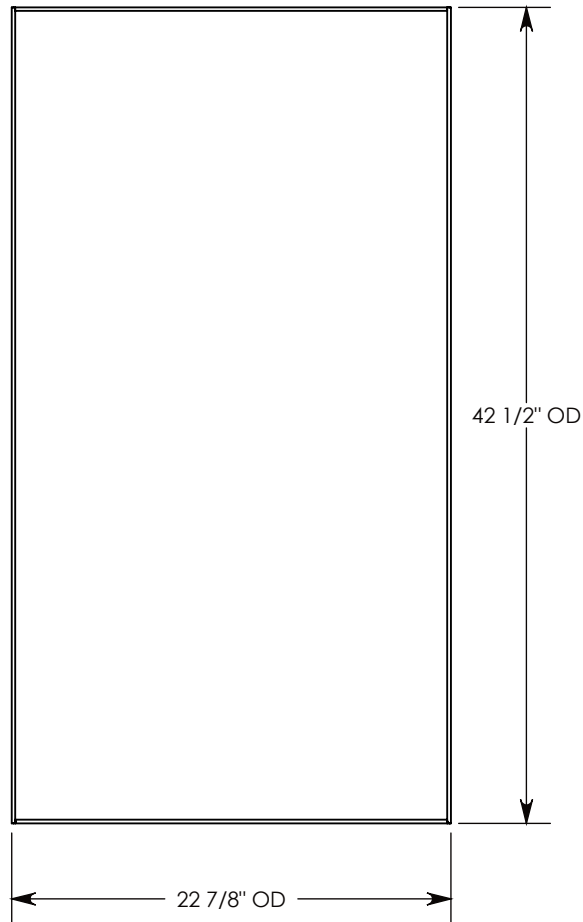
CONTACT INFORMATION:  
EMAIL: INFO@CONCASTINC.COM  
PHONE: (507) 732-4095  
FAX: (507) 732-4094

SHEET 1 OF 3

**PART NUMBER:**

**8024F**

ITEM NO.	PART NUMBER	DESCRIPTION	QTY.
1	D3-22.5	22 1/2" LONG D3 WIRE	2
2	D3-42.5	42 1/2" LONG D3 WIRE	2



NOTE 1: REINFORCES PEDESTRIAN RATED CHANNEL P/N: 8024

**DRAWN BY: JESSE GUTING**

**DATE: 2/20/2017**

**REVISION LEVEL: 0**

**WEIGHT:**

**1 LBS.**

**MATERIAL:**

**WELDABLE STEEL WIRE**



**DESCRIPTION:**

**REBAR CAGE FOR 24" PED CHANNELS**

DIMENSIONS ARE IN INCHES  
 TOLERANCES:  
 FRACTIONAL: ± 1/8"  
 ANGULAR: ± 2°

CONTACT INFORMATION:  
 EMAIL: INFO@CONCASTINC.COM  
 PHONE: (507) 732-4095  
 FAX: (507) 732-4094

SHEET 1 OF 3

**PART NUMBER:**

**C8024**