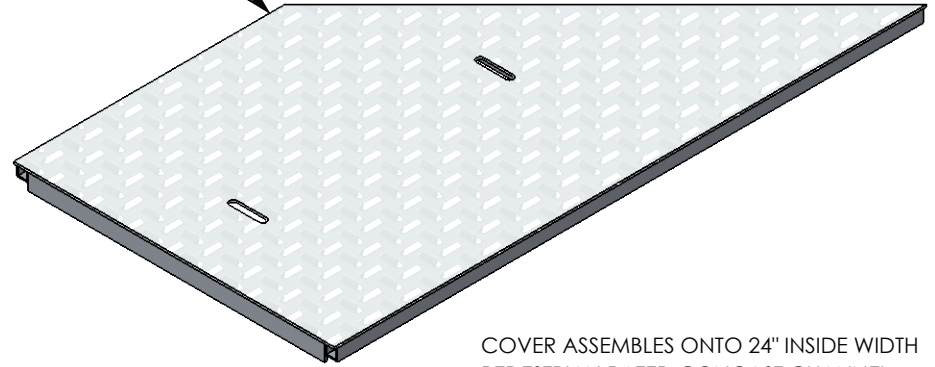
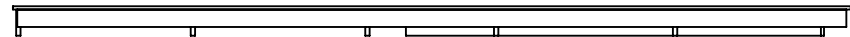
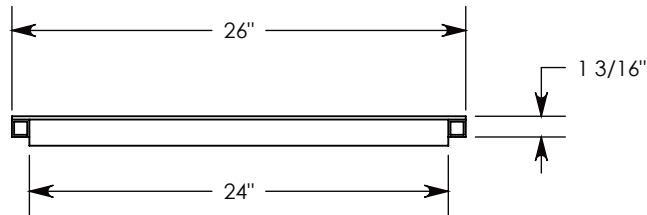


ALUMINUM TREAD PLATE



COVER ASSEMBLES ONTO 24" INSIDE WIDTH PEDESTRIAN RATED CONCAST CHANNEL



**NOTE 1:** FOR NON-STANDARD LENGTHS THE PART NUMBER WILL CORRESPOND TO ITS MEASURED LENGTH. IE: 8025AT 45L 36"

PEDESTRIAN RATED - 300 LB. PER SQ. FOOT

DRAWN BY: <b>JESSE GUTTING</b>	
CREATED DATE: <b>3/22/2010</b>	REVISION LEVEL: <b>A</b>
SAVED DATE: <b>4/27/2020</b>	SAVED BY: <b>jgutting</b>
WEIGHT: <b>25 LBS.</b>	MATERIAL: <b>WELDED ALUMINUM</b>

**CONCAST**  
 1010 NORTH STAR DRIVE  
 P.O. BOX 69  
 ZUMBROTA, MN 55992-0069

DESCRIPTION: <b>PED ALUM COVER - 45 DEGREE ANGLE</b>		SHEET 1 OF 2
DIMENSIONS ARE IN INCHES TOLERANCES: FRACTIONAL: ± 1/8" ANGULAR: ± 2°	CONTACT INFORMATION: EMAIL: <a href="mailto:INFO@CONCASTINC.COM">INFO@CONCASTINC.COM</a> PHONE: (507) 732-4095 FAX: (507) 732-4094	
PART NUMBER: <b>8025AT 45L</b>		