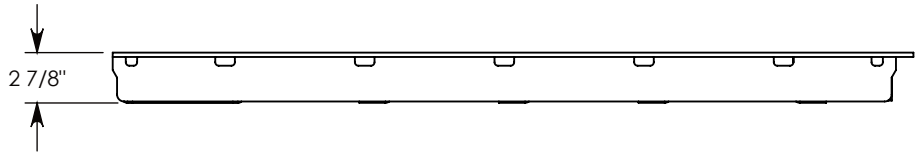
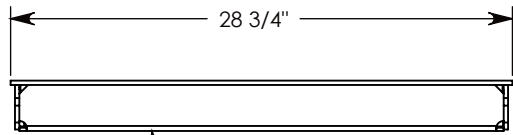
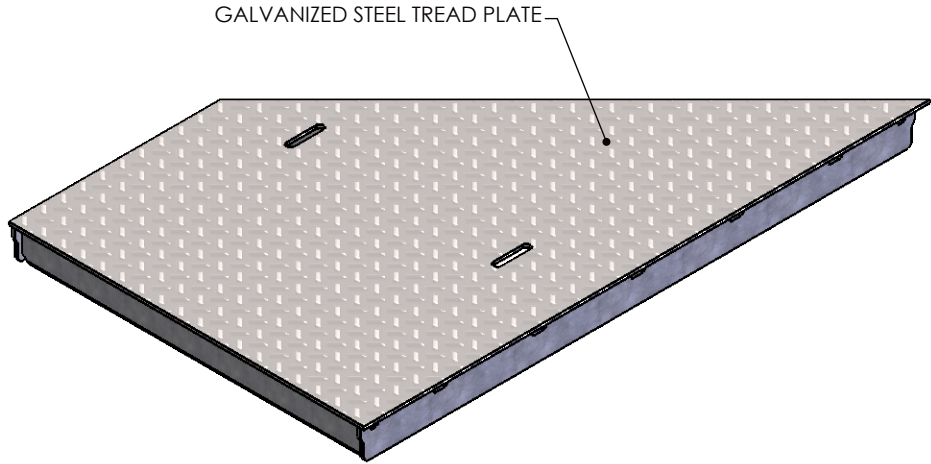
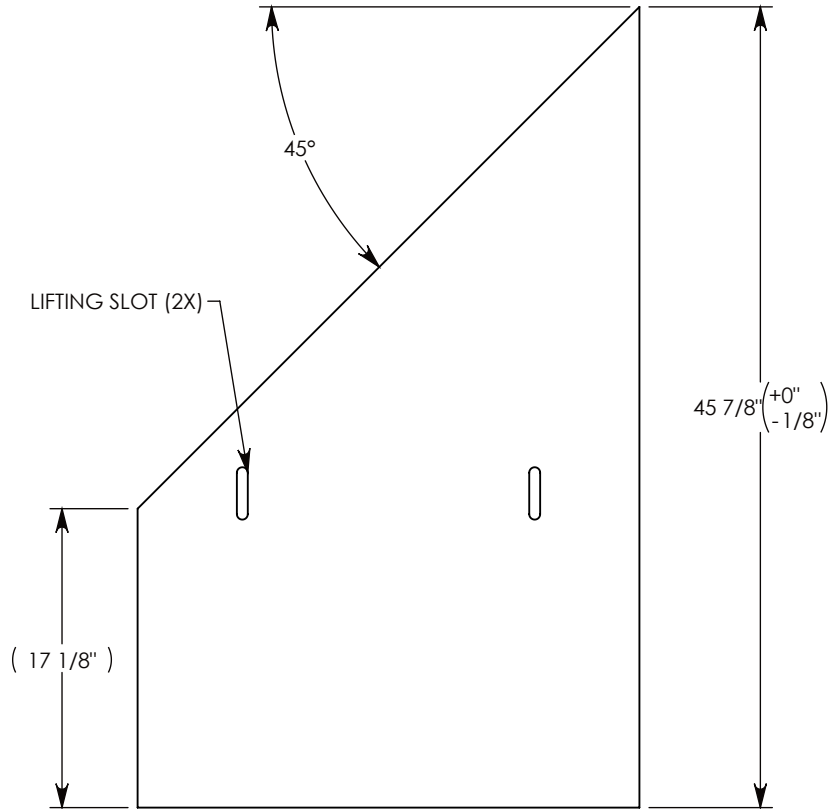


COVER ASSEMBLES ONTO 24" INSIDE WIDTH  
HEAVY TRAFFIC H-20 RATED CONCAST CHANNEL.



**NOTE 1:** FOR NON-STANDARD LENGTHS, THE PART NUMBER WILL CORRESPOND TO IT'S MEASURED LENGTH. IE: 8025HTSG 45L 18"  
**NOTE 2:** TREAD ON DIAMOND PLATE ADDS 1/8" TO THE OVERALL HEIGHT

AASHTO H-20 RATED – 32,000 LB. SINGLE AXLE LOAD

DRAWN BY: <b>TOM JANSEN</b>	
CREATED DATE: <b>3/21/2011</b>	REVISION LEVEL: <b>B</b>
SAVED DATE: <b>1/2/2020</b>	SAVED BY: <b>jgutting</b>
WEIGHT: <b>130 LBS.</b>	MATERIAL: <b>GALVANIZED STEEL</b>

**CONCAST**  
1010 NORTH STAR DRIVE  
P.O. BOX 69  
ZUMBROTA, MN 55992-0069

DESCRIPTION: <b>H-20 GALV. STEEL 45 DEGREE COVER</b>		SHEET 1 OF 2
DIMENSIONS ARE IN INCHES TOLERANCES: FRACTIONAL: ± 1/8" ANGULAR: ± 2°	CONTACT INFORMATION: EMAIL: <a href="mailto:INFO@CONCASTINC.COM">INFO@CONCASTINC.COM</a> PHONE: (507) 732-4095 FAX: (507) 732-4094	
PART NUMBER: <b>8025HTSG 45L</b>		