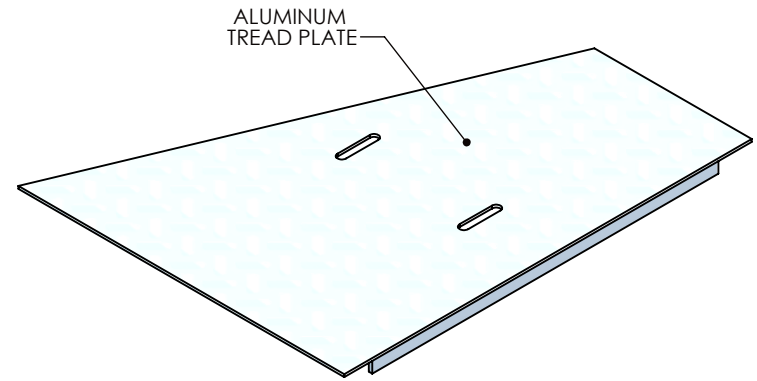
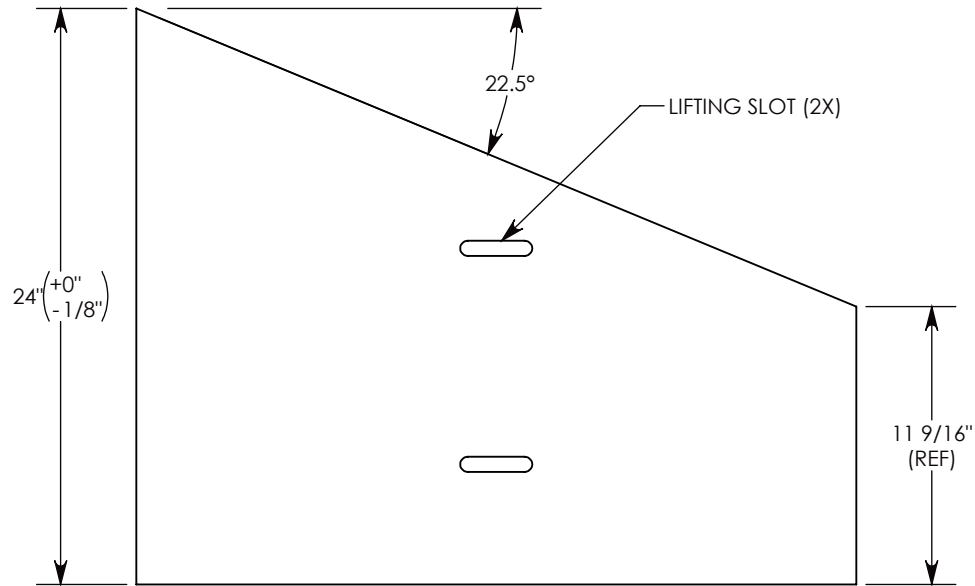
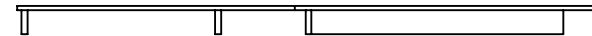
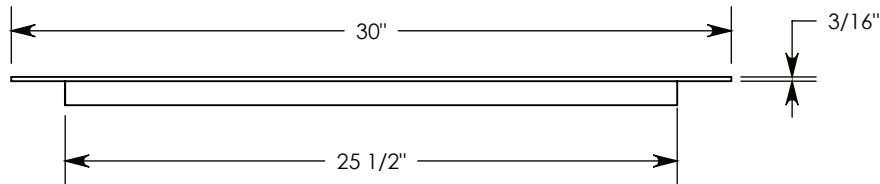


**FIBERCRETE<sup>®</sup>**  
**TRENCH**  
**SYSTEM**



COVER ASSEMBLES ONTO 24" INSIDE WIDTH PEDESTRIAN RATED CONCAST PT CHANNEL



**NOTE 1:** FOR NON-STANDARD LENGTHS THE PART NUMBER WILL CORRESPOND TO IT'S MEASURED LENGTH. IE: 8025PTA\_22.5R 24"

PEDESTRIAN RATED - 200 LB. PER SQ. FOOT

**DRAWN BY: ROBIN FLINT**

**DATE: 11/28/2015**

**REVISION LEVEL: 0**

**WEIGHT:**

**12 LBS.**

**MATERIAL:**

**WELDED ALUMINUM**



**DESCRIPTION:**

**ALUMINUM COVER - 22.5 DEGREE ANGLE**

DIMENSIONS ARE IN INCHES  
 TOLERANCES:  
 FRACTIONAL: ± 1/8"  
 ANGULAR: ± 2°

CONTACT INFORMATION:  
 EMAIL: INFO@CONCASTINC.COM  
 PHONE: (507) 732-4095  
 FAX: (507) 732-4094

SHEET 1 OF 2

**PART NUMBER:**

**8025PTA 22.5R**