

REV. A - RAL - 11/1/18 - UPDATED THE COVER SUPPORT RAIL  
 REV. B - SIC - 7/22/2019 - UPDATED VIEWS, ANNOTATIONS, AND DIMENSIONS

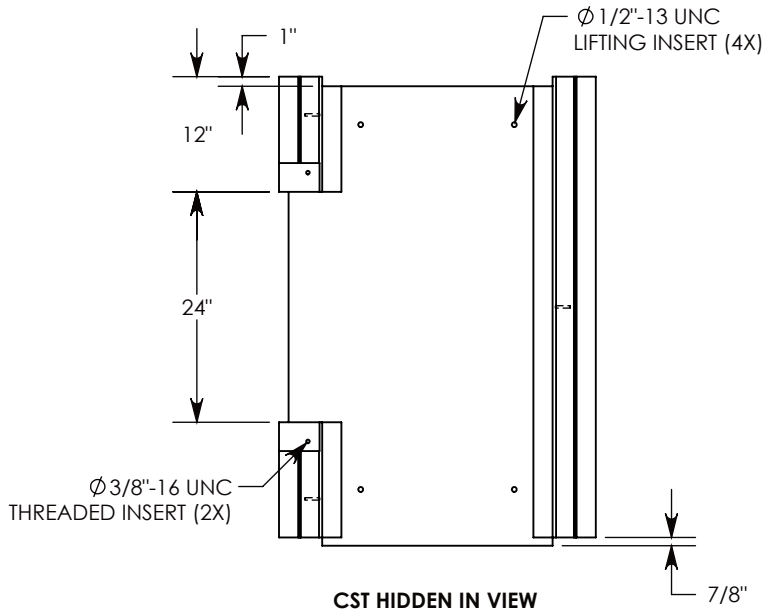
3/8-16 UNC X 2.50" LG HEX HD BOLT, GRADE 8  
 P/N: HHB.38-2.5G8 QTY: 2

3/8" STD WASHER - 1" OD  
 P/N: WSR.38-1 QTY: 2

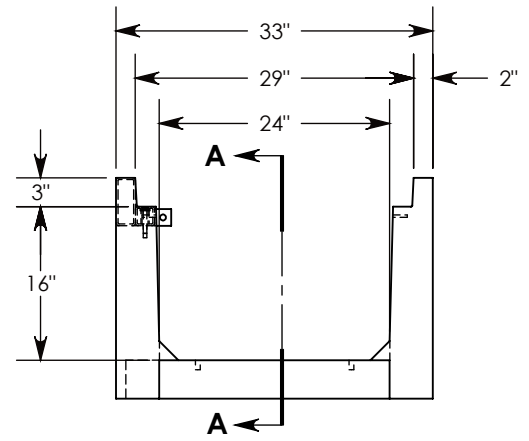
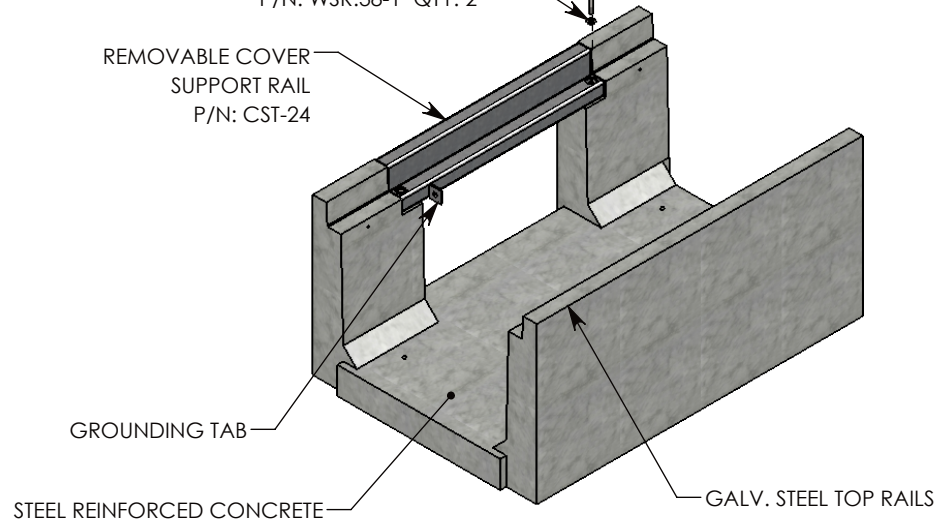
REMOVABLE COVER  
 SUPPORT RAIL  
 P/N: CST-24

STEEL REINFORCED CONCRETE

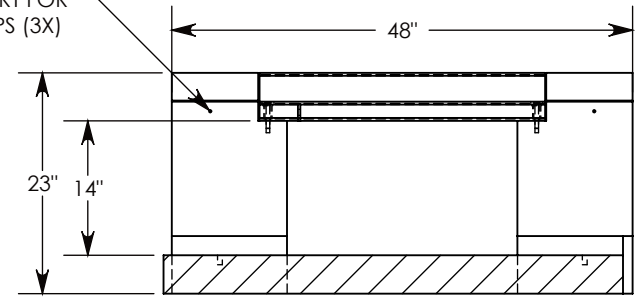
GALV. STEEL TOP RAILS



CST HIDDEN IN VIEW



$\phi 1/4$ " INSERT FOR  
 CABLE CLIPS (3X)



SECTION A-A

AASHTO H-20 RATED - 32,000 LB. SINGLE AXLE LOAD

<b>DRAWN BY:</b> ROSS LAGER	
<b>CREATED DATE:</b> 7/14/2008	<b>REVISION LEVEL:</b> B
<b>SAVED DATE:</b> 1/28/2020	<b>SAVED BY:</b> scallahan
<b>WEIGHT:</b> 993 LBS.	<b>MATERIAL:</b> NOTED

1010 NORTH STAR DRIVE  
 P.O. BOX 69  
 ZUMBROTA, MN 55992-0069

<b>DESCRIPTION:</b> <b>HEAVY TRAFFIC UNIVERSAL CHANNEL</b>	
DIMENSIONS ARE IN INCHES TOLERANCES: FRACTIONAL: $\pm 1/8$ " ANGULAR: $\pm 2^\circ$	CONTACT INFORMATION: EMAIL: INFO@CONCASTINC.COM PHONE: (507) 732-4095 FAX: (507) 732-4094
<b>PART NUMBER:</b> <b>802616HT3 (0X24)</b>	
SHEET 1 OF 1	