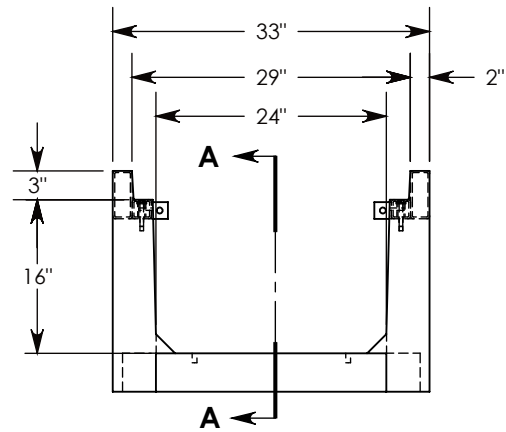
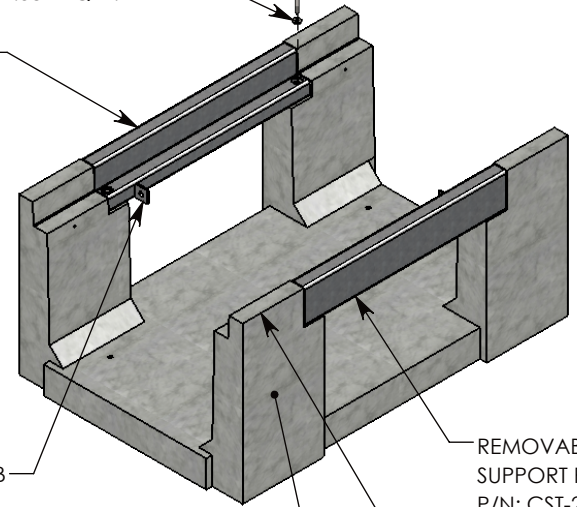


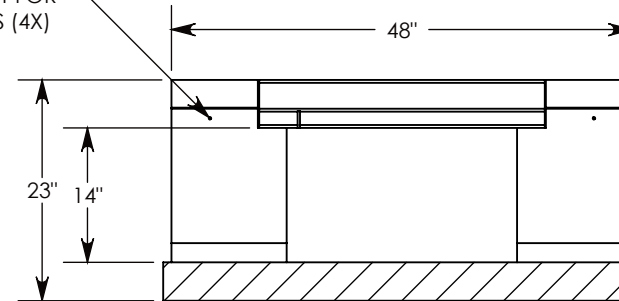
3/8-16 UNC X 2.50" LG HEX HD BOLT, GRADE 8  
P/N: HHB.38-2.5G8 QTY: 4

3/8" STD WASHER - 1" OD  
P/N: WSR.38-1 QTY: 4

REMOVABLE COVER  
SUPPORT RAIL  
P/N: CST-24



Ø 1/4" INSERT FOR  
CABLE CLIPS (4X)



SECTION A-A

AASHTO H-20 RATED - 32,000 LB. SINGLE AXLE LOAD

DRAWN BY: TOM JANSEN

CREATED DATE: 7/14/2008

REVISION LEVEL: A

SAVED DATE: 1/28/2020

SAVED BY: scallahan

WEIGHT:

857 LBS.

MATERIAL:

NOTED



1010 NORTH STAR DRIVE  
P.O. BOX 69  
ZUMBROTA, MN 55992-0069

DESCRIPTION:

**HEAVY TRAFFIC UNIVERSAL CHANNEL**

DIMENSIONS ARE IN INCHES

TOLERANCES:  
FRACTIONAL: ± 1/8"  
ANGULAR: ± 2°

CONTACT INFORMATION:

EMAIL: INFO@CONCASTINC.COM  
PHONE: (507) 732-4095  
FAX: (507) 732-4094

SHEET 1 OF 1

PART NUMBER:

**802616HT3 (24X24)**