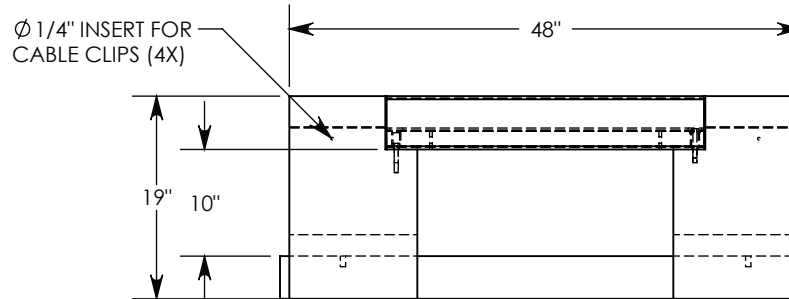
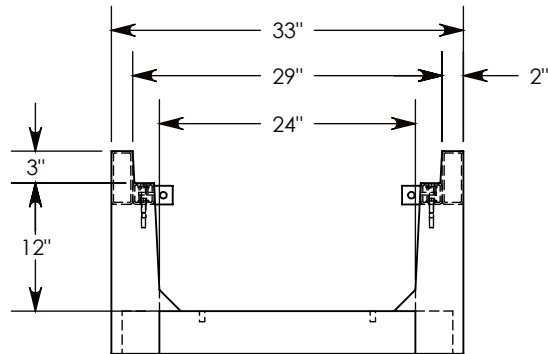
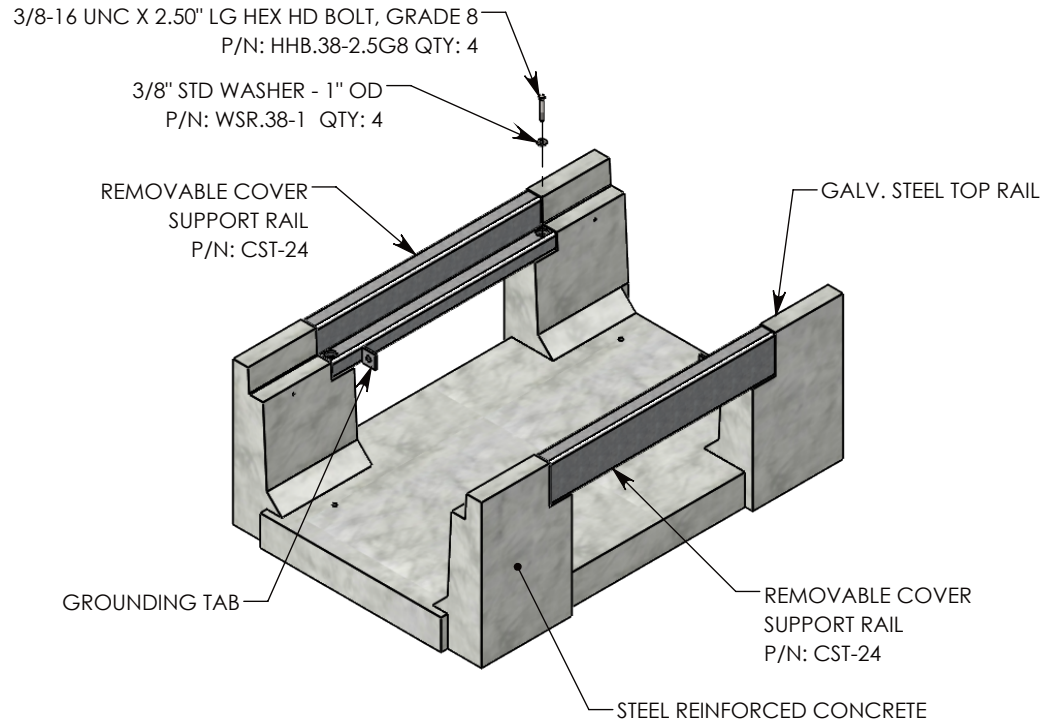


CST HIDDEN IN VIEW



AASHTO H-20 RATED – 32,000 LB. SINGLE AXLE LOAD

<b>DRAWN BY:</b> ROSS LAGER	
<b>CREATED DATE:</b> 7/14/2008	<b>REVISION LEVEL:</b> A
<b>SAVED DATE:</b> 1/28/2020	<b>SAVED BY:</b> scallahan
<b>WEIGHT:</b> 786 LBS.	<b>MATERIAL:</b> NOTED



**CONCAST**  
 1010 NORTH STAR DRIVE  
 P.O. BOX 69  
 ZUMBROTA, MN 55992-0069

<b>DESCRIPTION:</b> <b>HEAVY TRAFFIC UNIVERSAL CHANNEL</b>		SHEET 1 OF 1
DIMENSIONS ARE IN INCHES TOLERANCES: FRACTIONAL: ± 1/8" ANGULAR: ± 2°	CONTACT INFORMATION: EMAIL: INFO@CONCASTINC.COM PHONE: (507) 732-4095 FAX: (507) 732-4094	
<b>PART NUMBER:</b> <b>8026HT3 (24X24)</b>		