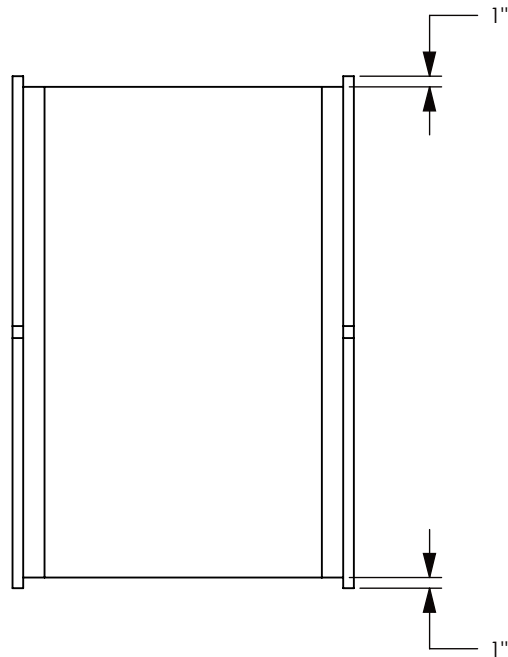
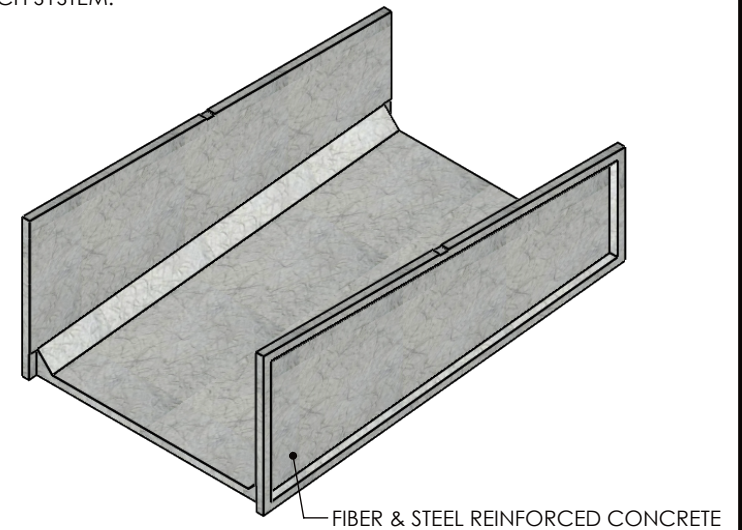
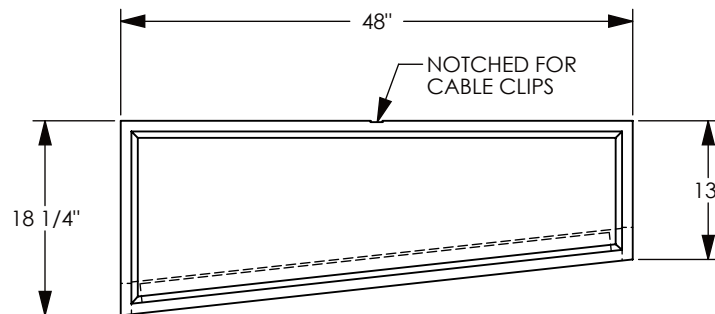
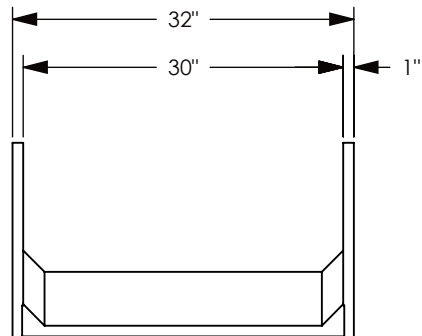
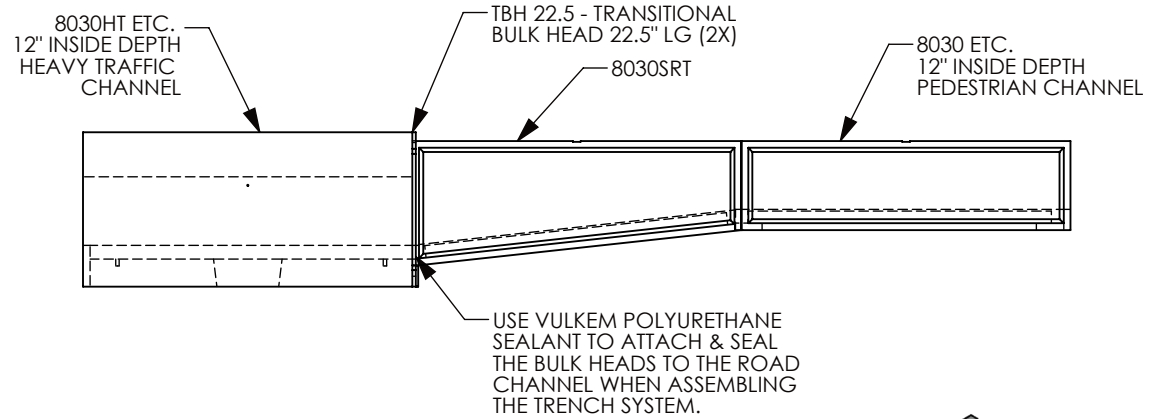


FIBERCRETE[®] TRENCH SYSTEM



REFERENCE ASSEMBLY



PEDESTRIAN RATED - 200 LB. PER SQ. FOOT

DRAWN BY: ROBIN FLINT

CREATED DATE: 2/19/2009

REVISION LEVEL: A

SAVED DATE: 6/24/2020

SAVED BY: scallahan

WEIGHT:
176 LBS.

MATERIAL:
FIBERCRETE

CONCAST
1010 NORTH STAR DRIVE
P.O. BOX 69
ZUMBROTA, MN 55992-0069

DESCRIPTION:
TRANSITION CHANNEL

DIMENSIONS ARE IN INCHES
TOLERANCES:
FRACTIONAL: ± 1/8"
ANGULAR: ± 2°

CONTACT INFORMATION:
EMAIL: INFO@CONCASTINC.COM
PHONE: (507) 732-4095
FAX: (507) 732-4094

SHEET 1 OF 1

PART NUMBER:
8030SRT