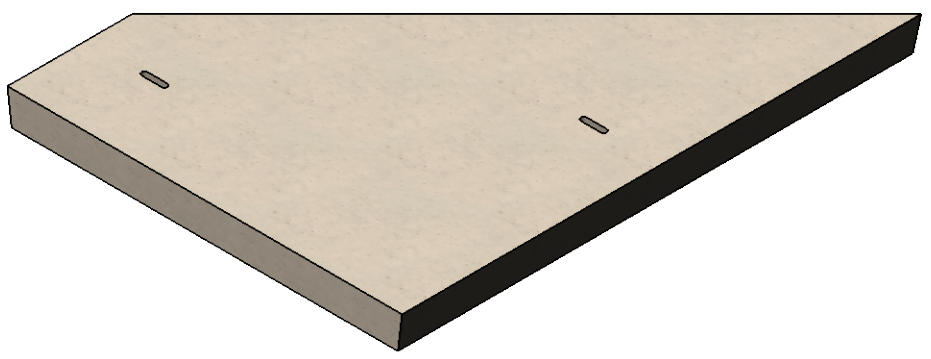
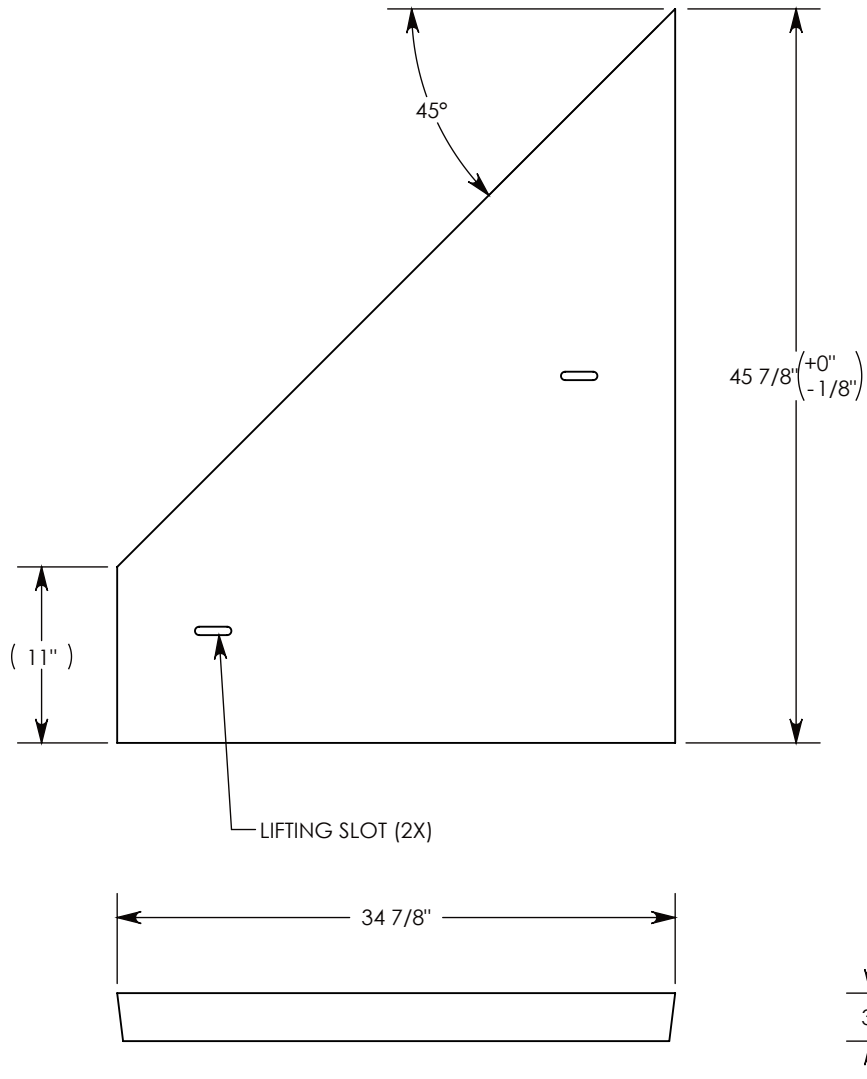


REV. A - RAL - 2/8/18 - ADDED RECESS AND THRU HOLE
 REV. B - 10/2/18 - RAL - UPDATED WEIGHT
 REV. C - 8/20/2021 - JCG - UPDATED TO LIFTING SLOTS FROM INSERTS



COVER ASSEMBLES ONTO 30" INSIDE WIDTH
 HEAVY TRAFFIC RATED CONCAST HT3 CHANNEL

AASHTO H-20 RATED – 32,000 LB. SINGLE AXLE LOAD

DRAWN BY: JESSE GUTTING	
CREATED DATE: 8/22/2002	REVISION LEVEL: C
SAVED DATE: 8/20/2021	SAVED BY: jgutting
WEIGHT: 213 LBS.	MATERIAL: POLYMER



CONCAST
 1010 NORTH STAR DRIVE
 P.O. BOX 69
 ZUMBROTA, MN 55992-0069

DESCRIPTION: HEAVY TRAFFIC COVER		SHEET 1 OF 1
DIMENSIONS ARE IN INCHES TOLERANCES: FRACTIONAL: ± 1/8" ANGULAR: ± 2°	CONTACT INFORMATION: EMAIL: INFO@CONCASTINC.COM PHONE: (507) 732-4095 FAX: (507) 732-4094	
PART NUMBER: 8031HT3P 45L		