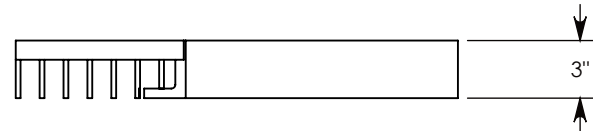
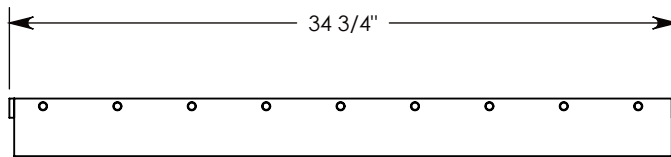
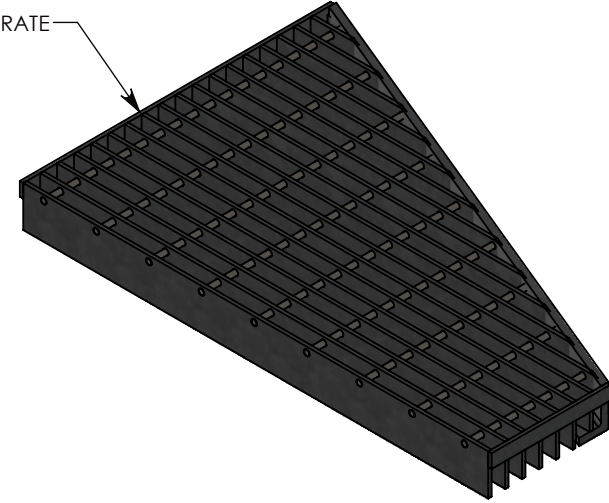
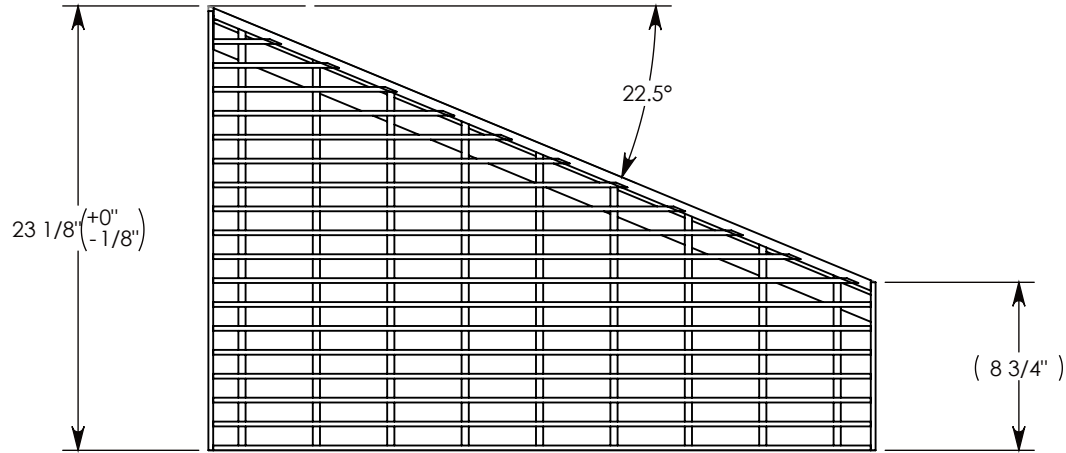


REV. A-RAL-8/9/2019-REMOVED BOTTOM FLAT BAR AND CHANGED VERTICAL FLAT BAR TO 3"

COVER ASSEMBLES ONTO 30" INSIDE WIDTH
HEAVY TRAFFIC H-20 RATED CONCAST HT3 TRENCH

WELDED GALVANIZED STEEL GRATE



NOTE 1: FOR NON-STANDARD LENGTHS, THE PART NUMBER WILL CORRESPOND TO IT'S MEASURED LENGTH. IE: 8030HTSGV 22.5R 22"

AASHTO H-20 RATED – 32,000 LB. SINGLE AXLE LOAD

DRAWN BY: ROSS LAGER	
DATE: 8/9/2019	REVISION LEVEL: A
WEIGHT: 121 LBS.	MATERIAL: GALVANIZED STEEL



1010 NORTH STAR DRIVE
P.O. BOX 69
ZUMBROTA, MN 55992-0069

DESCRIPTION: VENTILATED STEEL COVER - 22.5 DEG. ANGLE		
DIMENSIONS ARE IN INCHES TOLERANCES: FRACTIONAL: ± 1/8" ANGULAR: ± 2°	CONTACT INFORMATION: EMAIL: INFO@CONCASTINC.COM PHONE: (507) 732-4095 FAX: (507) 732-4094	SHEET 1 OF 1
PART NUMBER: 8031HTSGV 22.5R		