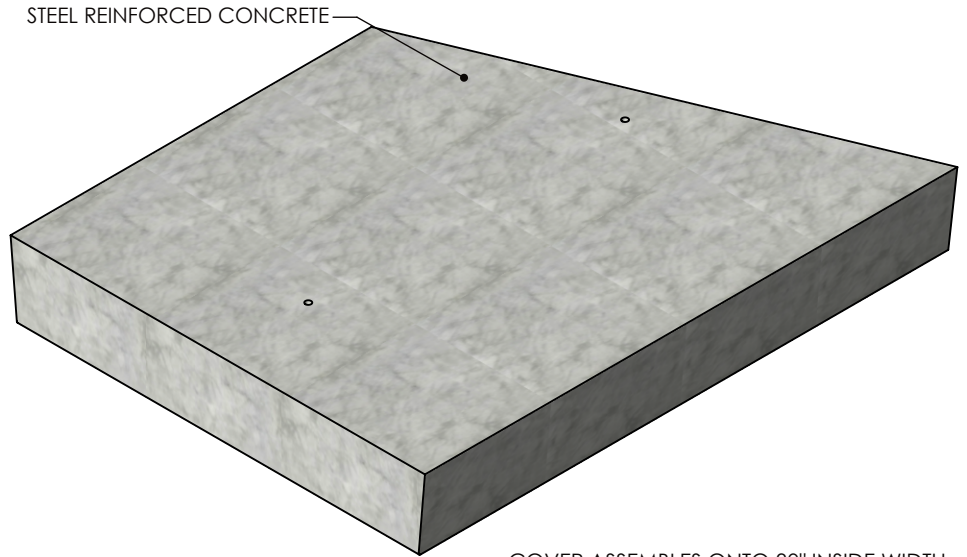
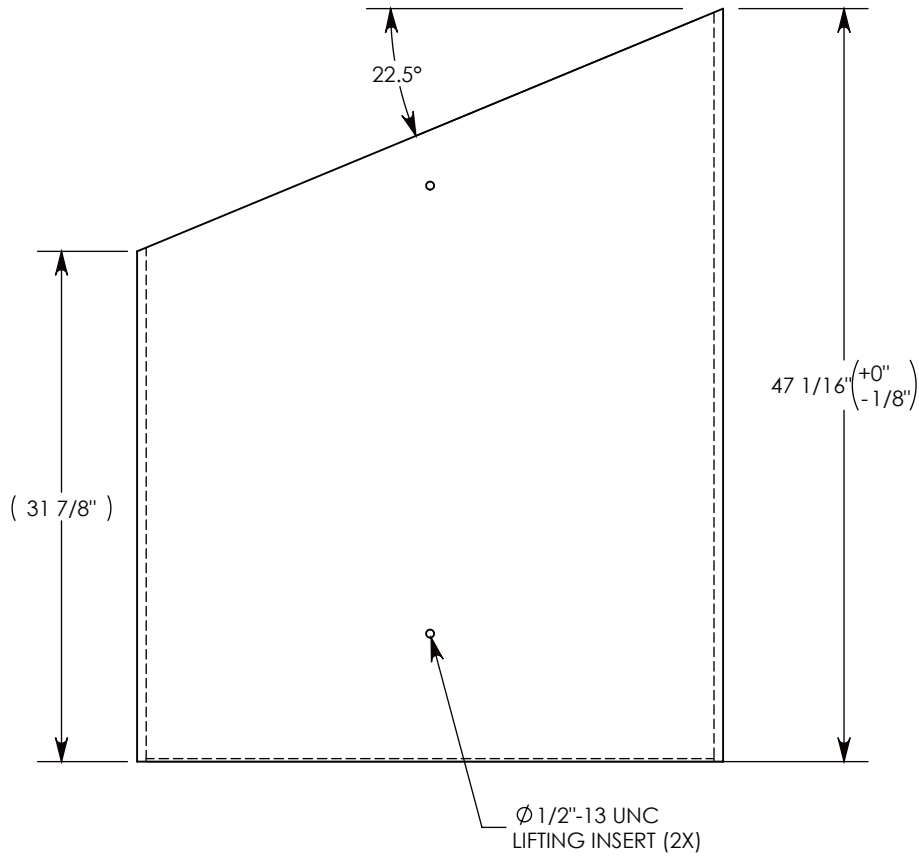
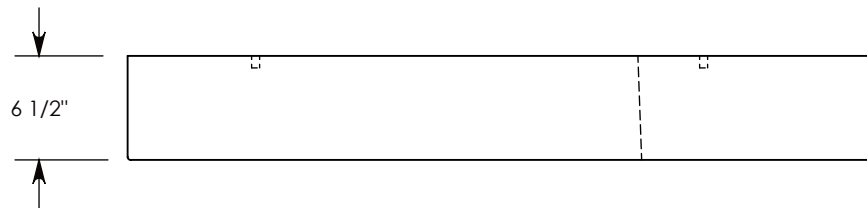
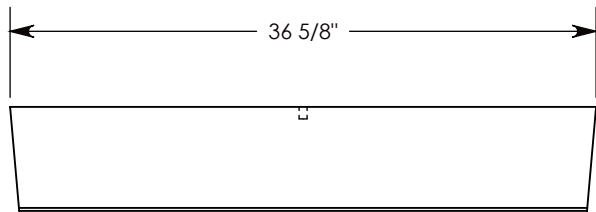


**FIBERCRETE<sup>®</sup>**  
**TRENCH**  
**SYSTEM**



COVER ASSEMBLES ONTO 30" INSIDE WIDTH HEAVY TRAFFIC RATED CONCAST HT CHANNEL.



H-40 RATED - 64,000 LB. PER AXLE LOAD.

**DRAWN BY: ROBIN FLINT**

**DATE: 5/30/2018**

**REVISION LEVEL: A**

**WEIGHT:**

**758 LBS.**

**MATERIAL:**

**CONCRETE**



1010 NORTH STAR DRIVE  
 P.O. BOX 69  
 ZUMBROTA, MN 55992-0069

**DESCRIPTION:**

**HEAVY TRAFFIC COVER - 22.5 DEG. ANGLE**

DIMENSIONS ARE IN INCHES  
 TOLERANCES:  
 FRACTIONAL: ± 1/8"  
 ANGULAR: ± 2°

CONTACT INFORMATION:  
 EMAIL: INFO@CONCASTINC.COM  
 PHONE: (507) 732-4095  
 FAX: (507) 732-4094

SHEET 1 OF 1

**PART NUMBER:**

**8031HT 22.5L**