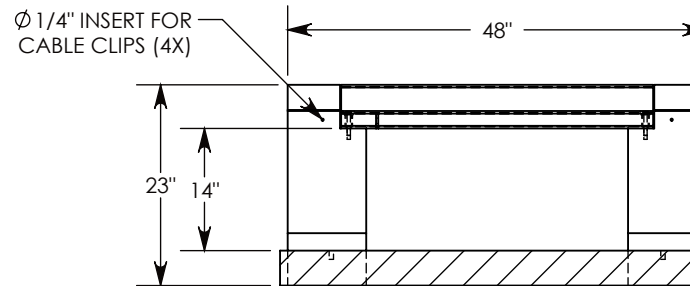
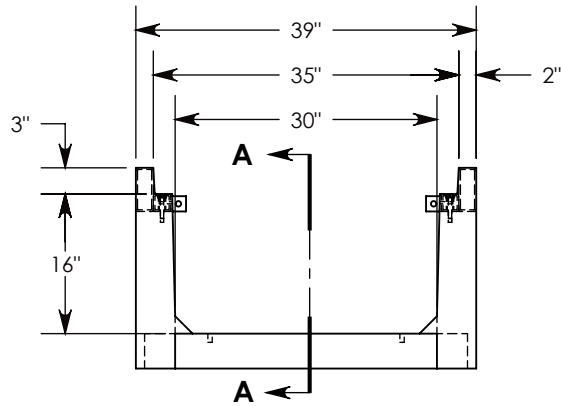
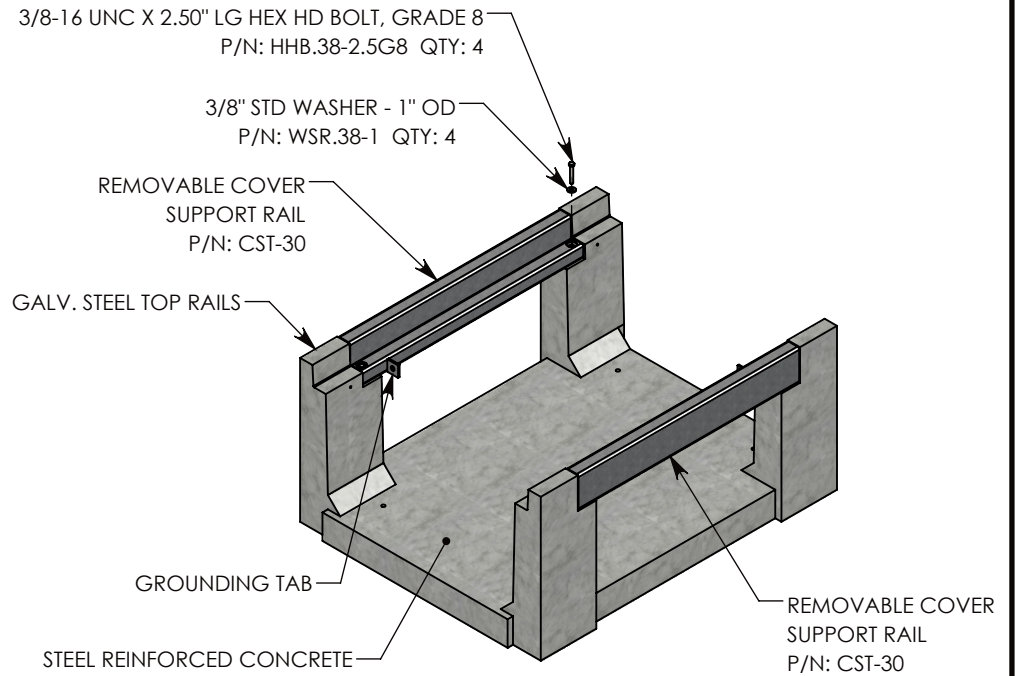
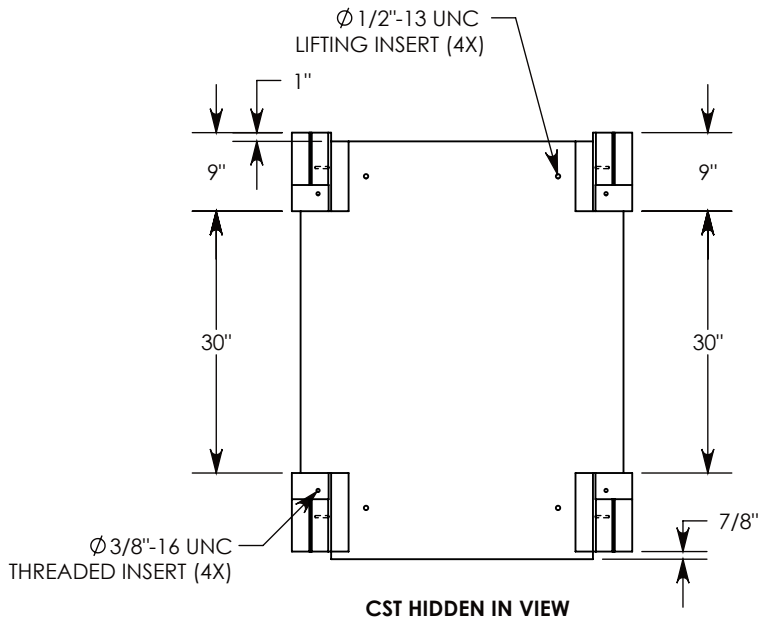


REV. A - RAL - 12/3/2018 - UPDATED NOTES  
 REV. B - SIC - 7/22/2019 - UPDATED VIEWS, ANNOTATIONS, AND DIMENSIONS



SECTION A-A

AASHTO H-20 RATED - 32,000 LB. SINGLE AXLE LOAD

DRAWN BY: <b>TOM JANSEN</b>	
CREATED DATE: <b>7/14/2008</b>	REVISION LEVEL: <b>B</b>
SAVED DATE: <b>9/1/2020</b>	SAVED BY: <b>tjansen</b>
WEIGHT: <b>883 LBS.</b>	MATERIAL: <b>NOTED</b>

**CONCAST**  
 1010 NORTH STAR DRIVE  
 P.O. BOX 69  
 ZUMBROTA, MN 55992-0069

<b>DESCRIPTION:</b> <b>HEAVY TRAFFIC UNIVERSAL CHANNEL</b>	
DIMENSIONS ARE IN INCHES TOLERANCES: FRACTIONAL: $\pm 1/8$ " ANGULAR: $\pm 2^\circ$	CONTACT INFORMATION: EMAIL: <a href="mailto:INFO@CONCASTINC.COM">INFO@CONCASTINC.COM</a> PHONE: (507) 732-4095 FAX: (507) 732-4094
<b>PART NUMBER:</b> <b>803216HT3 (30X30)</b>	
SHEET 1 OF 1	