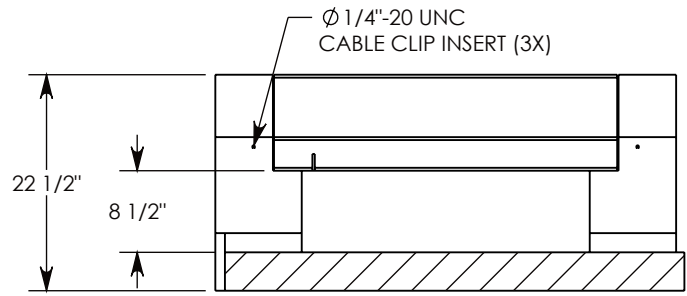
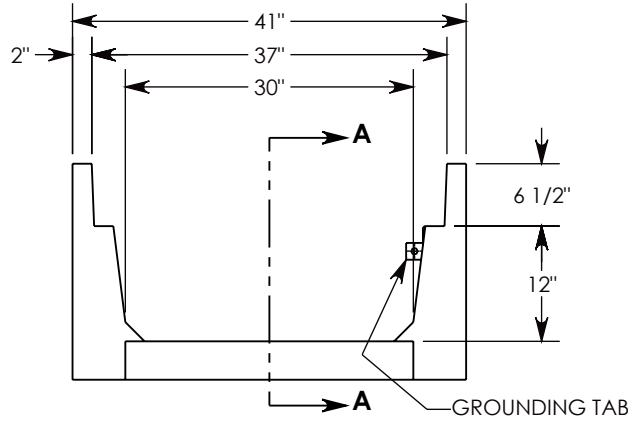
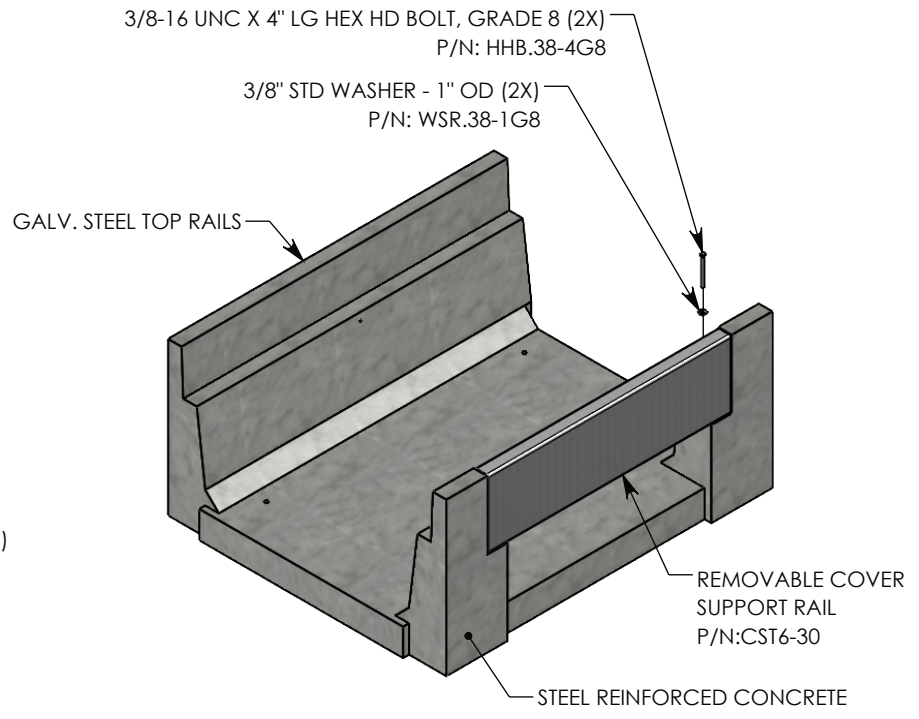
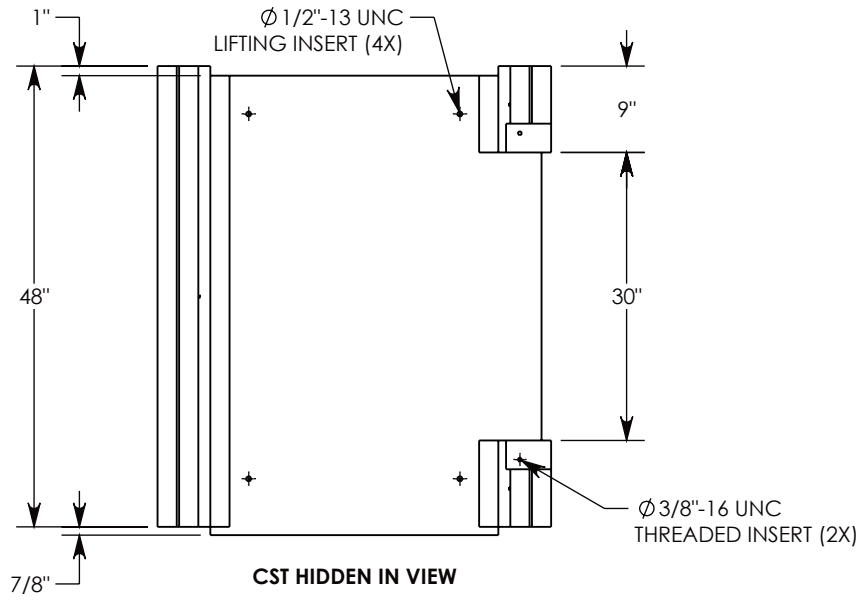


REV. A - DRB - 7/21/2023 - UPDATED TO USE COVER SUPPORT. RF-8/4/23 SECONDARY EDITS
 REV. B - SIC - 9/15/2023 - UPDATED ANNOTATIONS; FLIPPED SECTION A-A; UPDATED WEIGHT RATING NOTE; UPDATED DIMENSIONS



SECTION A-A

MAX AASHTO H-40 RATED - 64,000 LB. SINGLE AXLE LOAD.
 DEPENDENT ON TRENCH COVER RATING

DRAWN BY: ROBIN LEWIS	
CREATED DATE: 7/14/2008	REVISION LEVEL: B
SAVED DATE: 9/15/2023	SAVED BY: scallahan
WEIGHT: 1098 LBS.	MATERIAL: NOTED

1010 NORTH STAR DRIVE
 P.O. BOX 69
 ZUMBROTA, MN 55992-0069

DESCRIPTION:	
HEAVY TRAFFIC UNIVERSAL CHANNEL	
DIMENSIONS ARE IN INCHES TOLERANCES: FRACTIONAL: $\pm 1/8\text{'}$ ANGULAR: $\pm 2^\circ$	CONTACT INFORMATION: EMAIL: INFO@CONCASTINC.COM PHONE: (507) 732-4095 FAX: (507) 732-4094
PART NUMBER:	
8032HT (30X0)	
SHEET 1 OF 1	