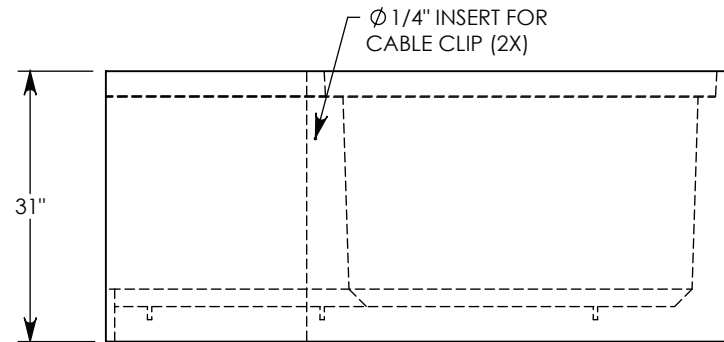
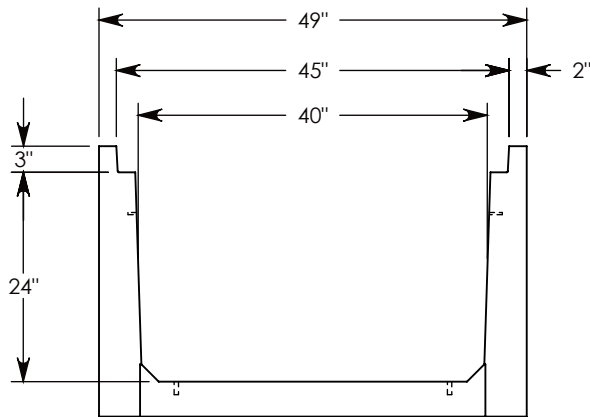
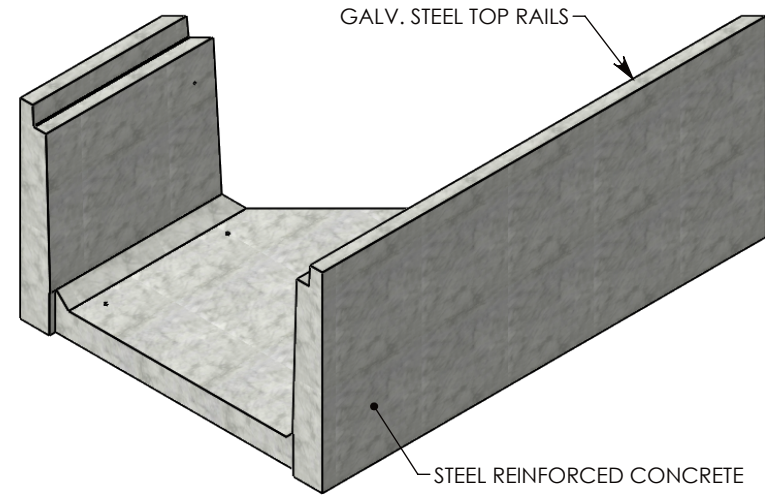
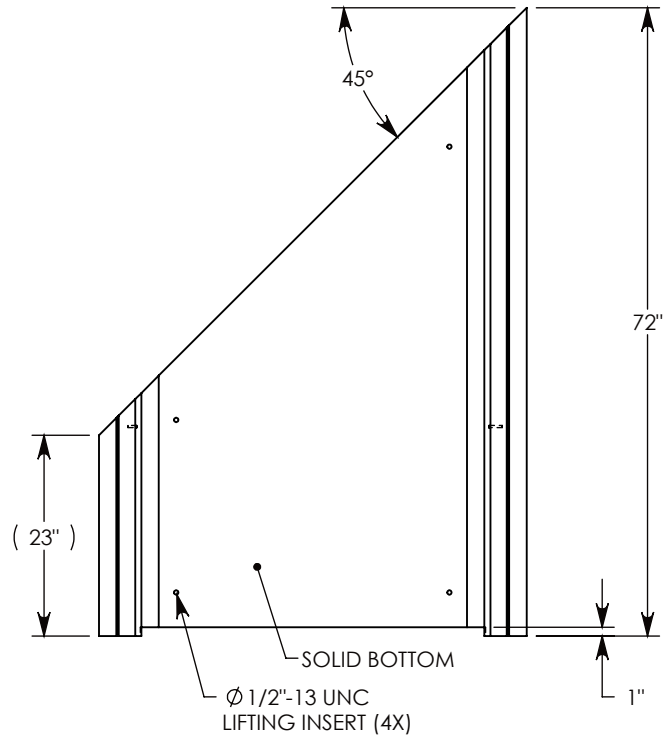


REV. A - SIC - 10/17/2019 - 1/2"-13 UNC LIFTING INSERT QTY: 4, WAS QTY: 3
 REV. B - SIC - 6/29/2020 - UPDATED ANNOTATIONS; UPDATED WEIGHT RATING NOTE; ADDED SOIL BEARING PRESSURES



AASHTO H-20 RATED - 32,000 LB. SINGLE AXLE LOAD
 MINIMUM ALLOWABLE SOIL BEARING PRESSURE - 3,000 PSF

| | |
|--------------------------------|----------------------------|
| DRAWN BY: ROBIN FLINT | |
| CREATED DATE: 3/21/2011 | REVISION LEVEL: B |
| SAVED DATE: 6/29/2020 | SAVED BY: scallahan |
| WEIGHT: 1659 LBS. | MATERIAL: CONCRETE |



1010 NORTH STAR DRIVE
 P.O. BOX 69
 ZUMBROTA, MN 55992-0069

| | | |
|----------------------------------|----------------------------|--------------|
| DESCRIPTION: | | SHEET 1 OF 1 |
| HT CHANNEL; 45 DEG. ANGLE | | |
| DIMENSIONS ARE IN INCHES | CONTACT INFORMATION: | |
| TOLERANCES: | EMAIL: INFO@CONCASTINC.COM | |
| FRACTIONAL: ± 1/8" | PHONE: (507) 732-4095 | |
| ANGULAR: ± 2° | FAX: (507) 732-4094 | |
| PART NUMBER: | | |
| 804024HT3 45L | | |