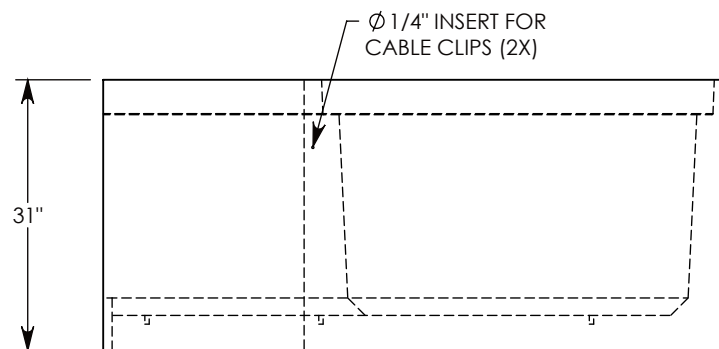
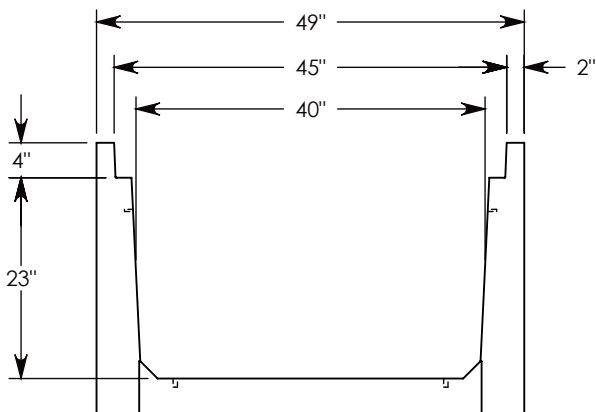
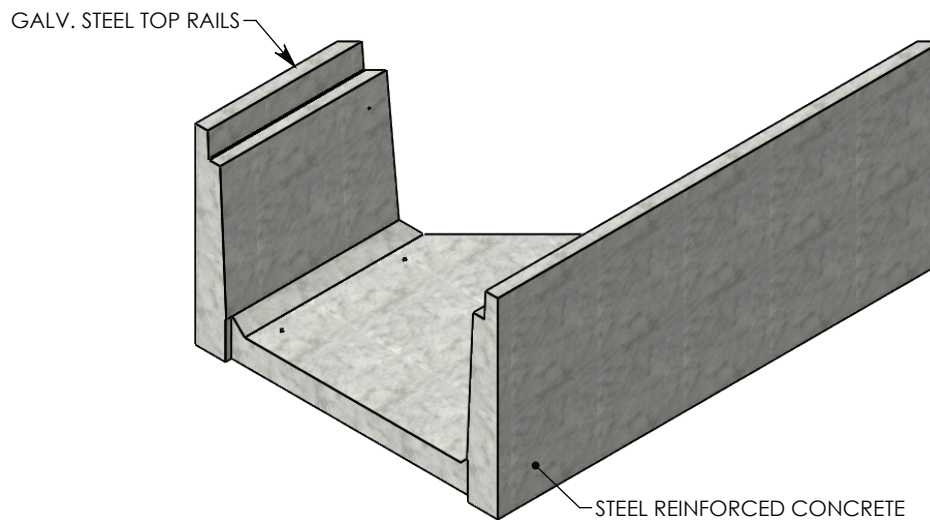
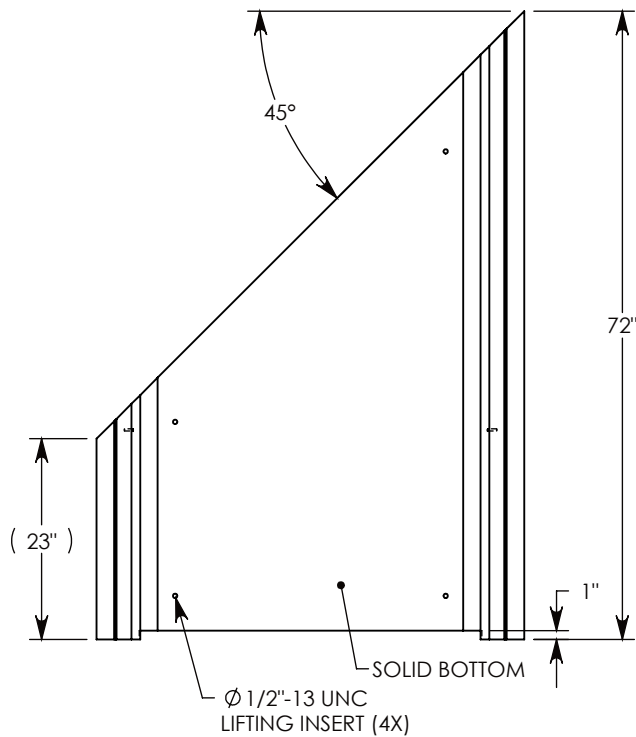


REV. A - SIC - 8/19/2019 - UPDATED ANNOTATIONS, DIMENSIONS, AND VIEWS; ADDED ONE 1/2" LIFTING INSERT; UPDATED LIFTING INSERT LAYOUT
 REV. B - SIC - 7/17/2020 - UPDATED WEIGHT RATING NOTE; ADDED SOIL BEARING PRESSURE



AASHTO H-20 RATED - 32,000 LB. SINGLE AXLE LOAD
 MINIMUM ALLOWABLE SOIL BEARING PRESSURE - 3,000 PSF

DRAWN BY: ROBIN FLINT

CREATED DATE: 3/21/2011 **REVISION LEVEL:** B

SAVED DATE: 7/17/2020 **SAVED BY:** scallahan

WEIGHT: 1643 LBS. **MATERIAL:** CONCRETE

CONCAST
 1010 NORTH STAR DRIVE
 P.O. BOX 69
 ZUMBROTA, MN 55992-0069

DESCRIPTION:
HT CHANNEL; 45 DEG. ANGLE

DIMENSIONS ARE IN INCHES
 TOLERANCES:
 FRACTIONAL: ± 1/8"
 ANGULAR: ± 2°

CONTACT INFORMATION:
 EMAIL: INFO@CONCASTINC.COM
 PHONE: (507) 732-4095
 FAX: (507) 732-4094

SHEET 1 OF 1

PART NUMBER:
804024HT4 45L