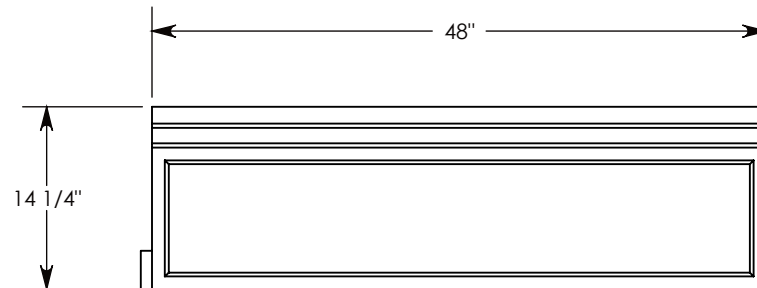
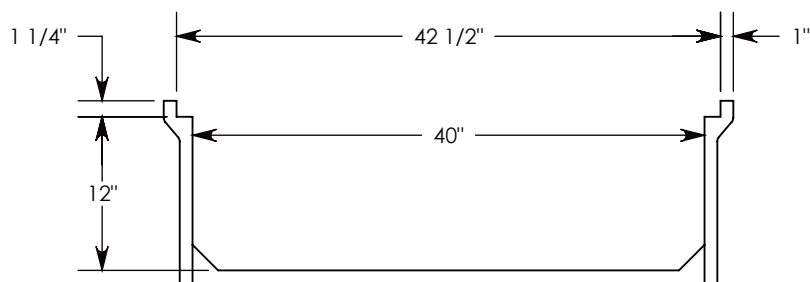
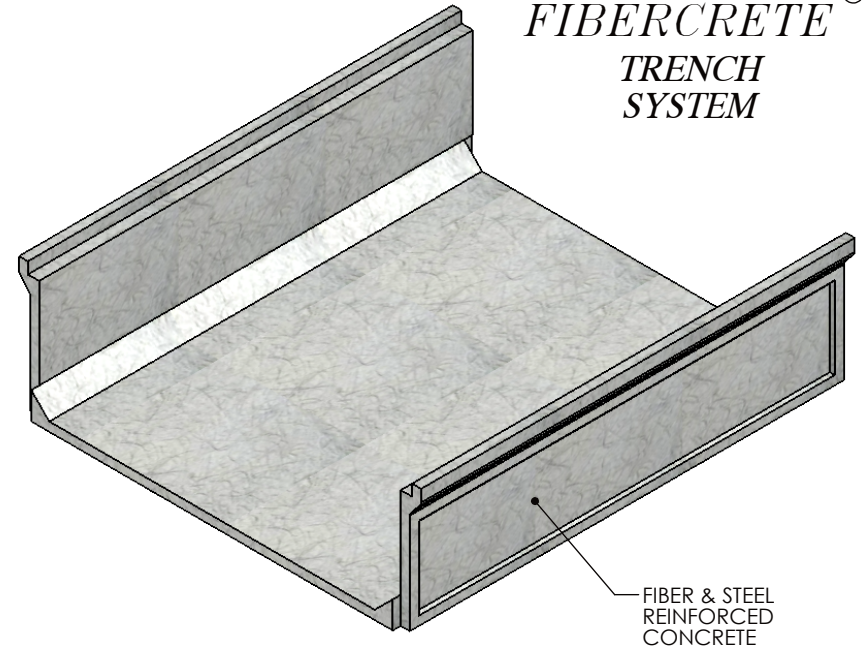
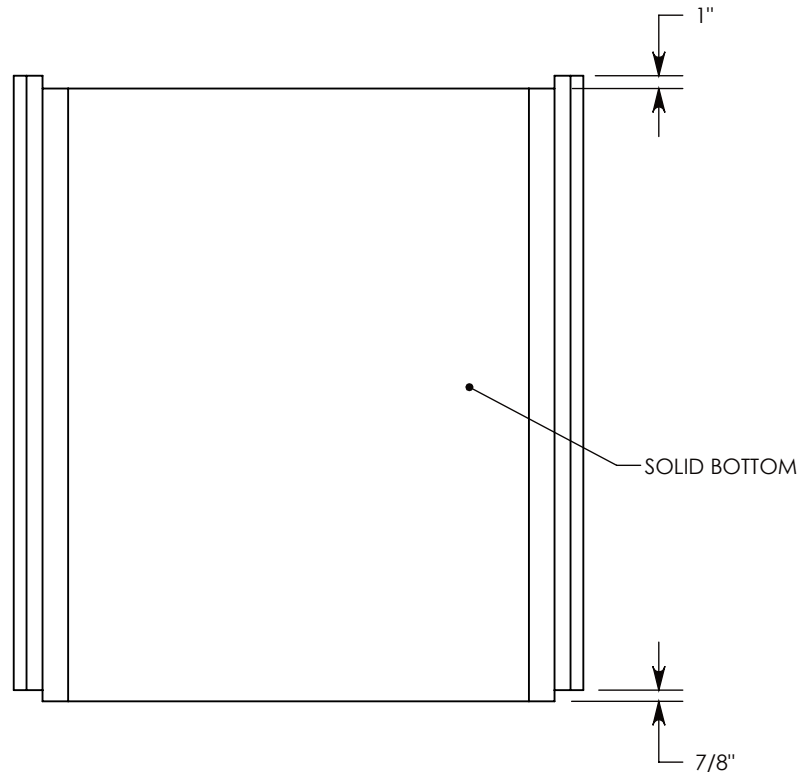


FIBERCRETE[®]
TRENCH
SYSTEM



NOTE: FOR NON-STANDARD LENGTHS THE CHANNEL WILL BE DESIGNATED WITH ITS CORRESPONDING LENGTH MEASUREMENT. IE: 8040FSB 32"

PEDESTRIAN RATED - 200 LB. PER SQ. FOOT

DRAWN BY: ROBIN LEWIS

DATE: 2/20/2017

REVISION LEVEL: 0

WEIGHT:

244 LBS.

MATERIAL:

NOTED



DESCRIPTION:

FLUSH PEDESTRIAN CHANNEL

DIMENSIONS ARE IN INCHES
 TOLERANCES:
 FRACTIONAL: ± 1/8"
 ANGULAR: ± 2°

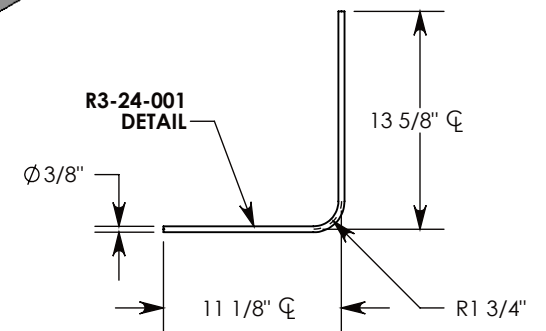
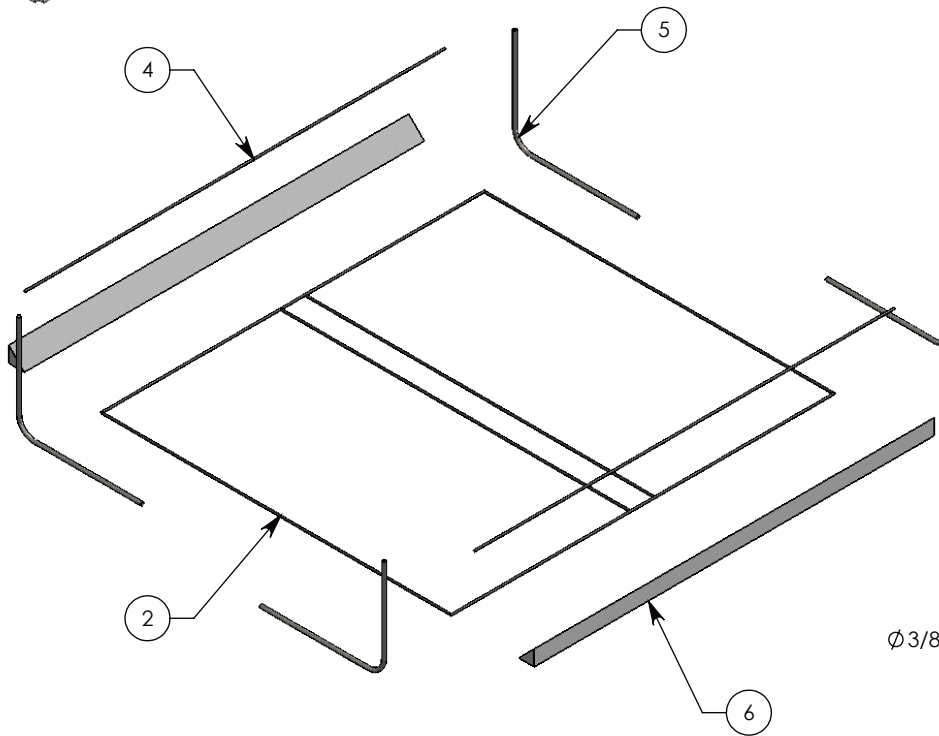
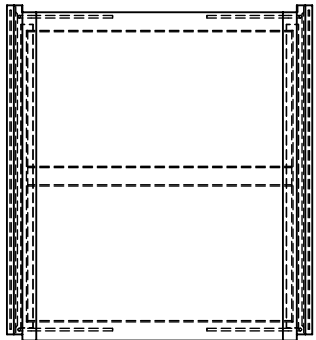
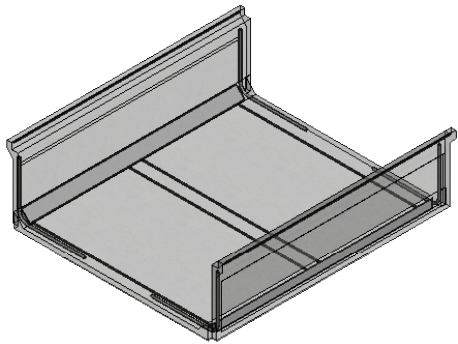
CONTACT INFORMATION:
 EMAIL: INFO@CONCASTINC.COM
 PHONE: (507) 732-4095
 FAX: (507) 732-4094

SHEET 1 OF 1

PART NUMBER:

8040FSB

ITEM NO.	PART NUMBER	DESCRIPTION	QTY.
1	C8040	REBAR CAGE FOR 40" PED CHANNELS	1
2	DP31570	FOAM CORNER - 44 1/4" LONG	2
3	D3-46.5	46 1/2" LONG D3 WIRE	2
4	MIX-FIBERSPRAY	SPRAY UP FIBERCRETE	3258
5	R3-24-001	24" LONG #3 REBAR - BENT	4



DRAWN BY: JESSE GUTTING

DATE: 2/20/2017

REVISION LEVEL: 0

WEIGHT:

244 LBS.

MATERIAL:

NOTED



CONCAST
 1010 NORTH STAR DRIVE
 P.O. BOX 69
 ZUMBROTA, MN 55992-0069

DESCRIPTION:

FLUSH PEDESTRIAN CHANNEL

DIMENSIONS ARE IN INCHES
 TOLERANCES:
 FRACTIONAL: ± 1/8"
 ANGULAR: ± 2°

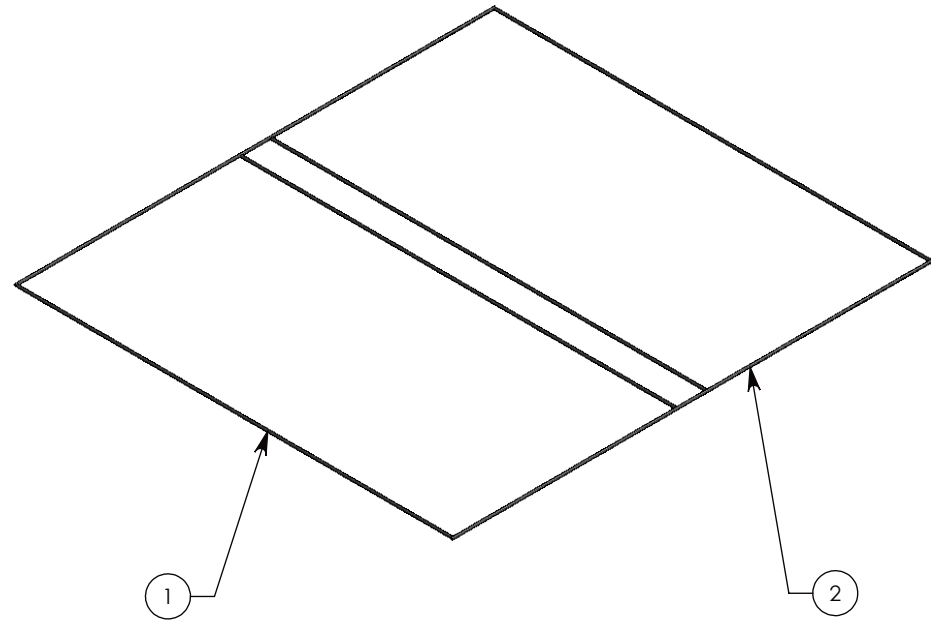
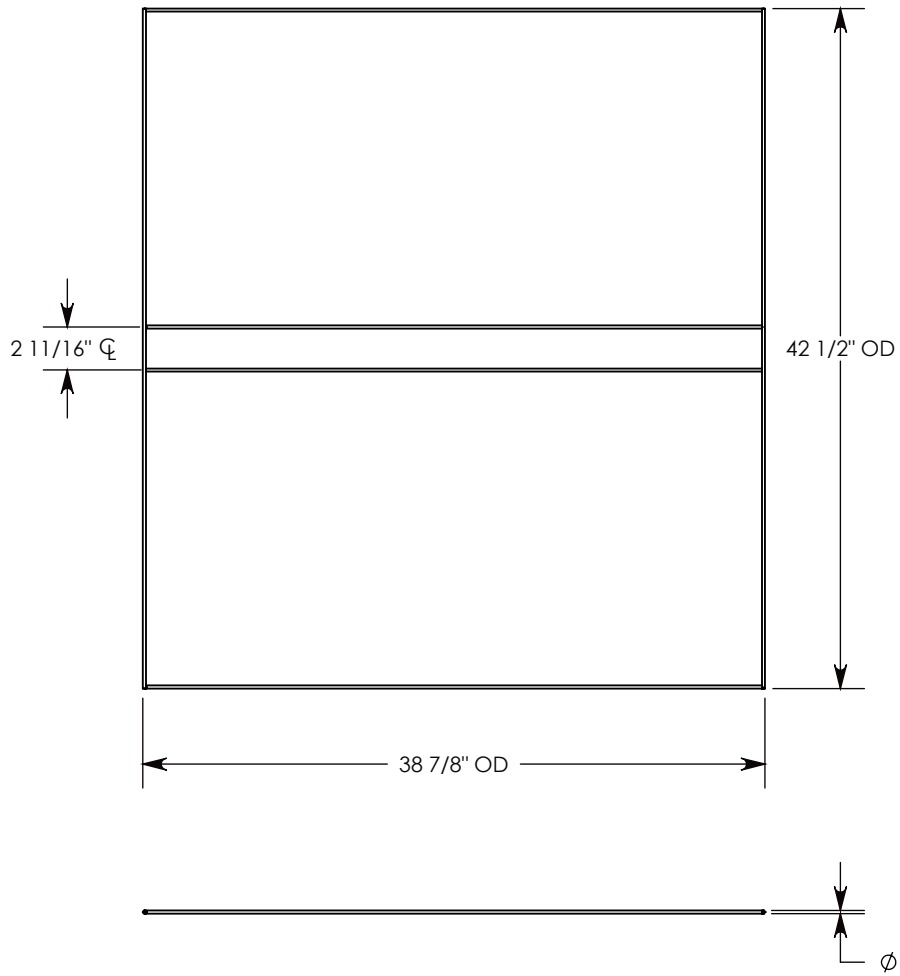
CONTACT INFORMATION:
 EMAIL: INFO@CONCASTINC.COM
 PHONE: (507) 732-4095
 FAX: (507) 732-4094

SHEET 1 OF 3

PART NUMBER:

8040FSB

ITEM NO.	PART NUMBER	DESCRIPTION	QTY.
1	D3-38.5	38 1/2" LONG D3 WIRE	4
2	D3-42.5	42 1/2" LONG D3 WIRE	2



NOTE 1: REINFORCES PEDESTRIAN RATED CHANNEL P/N: 8040

DRAWN BY: JESSE GUTING

DATE: 2/20/2017

REVISION LEVEL: 0

WEIGHT:

2 LBS.

MATERIAL:

WELDABLE STEEL WIRE



DESCRIPTION:

REBAR CAGE FOR 40" PED CHANNELS

DIMENSIONS ARE IN INCHES
TOLERANCES:
FRACTIONAL: $\pm 1/8"$
ANGULAR: $\pm 2^\circ$

CONTACT INFORMATION:
EMAIL: INFO@CONCASTINC.COM
PHONE: (507) 732-4095
FAX: (507) 732-4094

SHEET 1 OF 3

PART NUMBER:

C8040