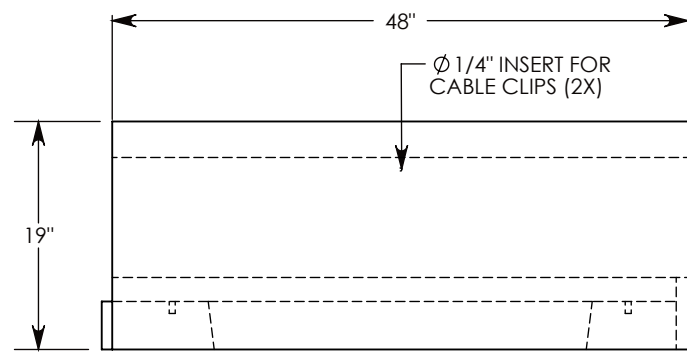
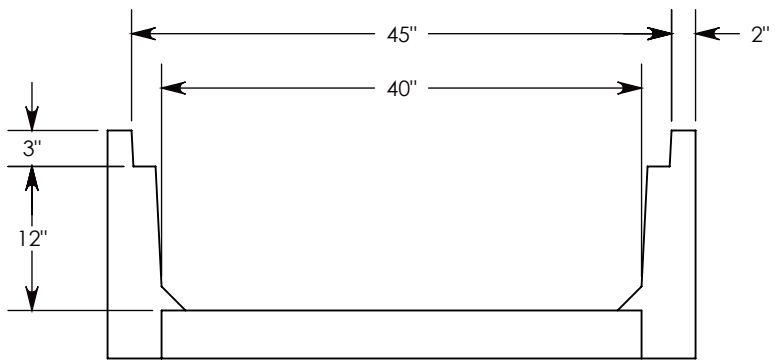
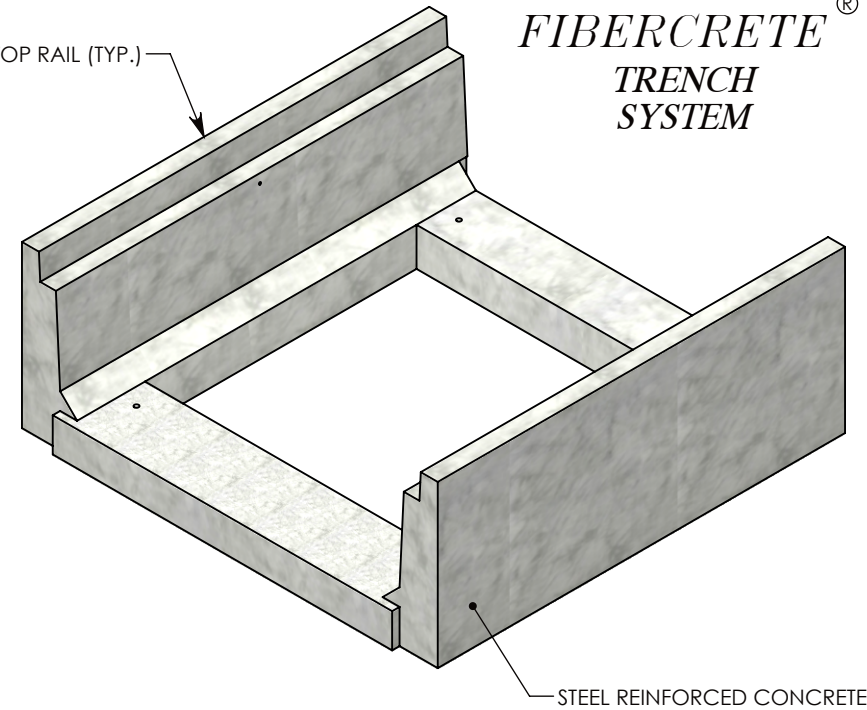


GALV. STEEL TOP RAIL (TYP.)

**FIBERCRETE<sup>®</sup>**  
**TRENCH**  
**SYSTEM**



NOTE: FOR NON-STANDARD LENGTHS THE CHANNEL WILL BE SOLID BOTTOM AND DESIGNATED WITH ITS CORRESPONDING LENGTH MEASUREMENT. IE: 8040LT 32"

H-10 RATED - 16,000 LB. PER AXLE LOAD

<b>DRAWN BY: ROBIN LEWIS</b>	
<b>DATE: 5/31/2016</b>	<b>REVISION LEVEL: 0</b>
<b>WEIGHT: 960 LBS.</b>	<b>MATERIAL: NOTED</b>

**CONCAST**  
 1010 NORTH STAR DRIVE  
 P.O. BOX 69  
 ZUMBROTA, MN 55992-0069

<b>DESCRIPTION:</b>		
<b>LIGHT TRAFFIC CHANNEL</b>		
DIMENSIONS ARE IN INCHES TOLERANCES: FRACTIONAL: ± 1/8" ANGULAR: ± 2°	CONTACT INFORMATION: EMAIL: INFO@CONCASTINC.COM PHONE: (507) 732-4095 FAX: (507) 732-4094	SHEET 1 OF 1
<b>PART NUMBER: 8040LT</b>		