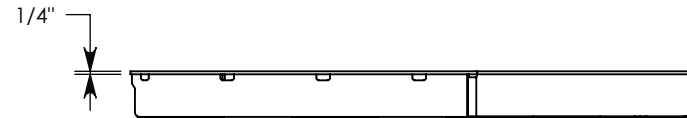
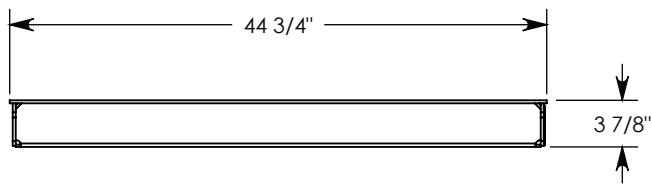
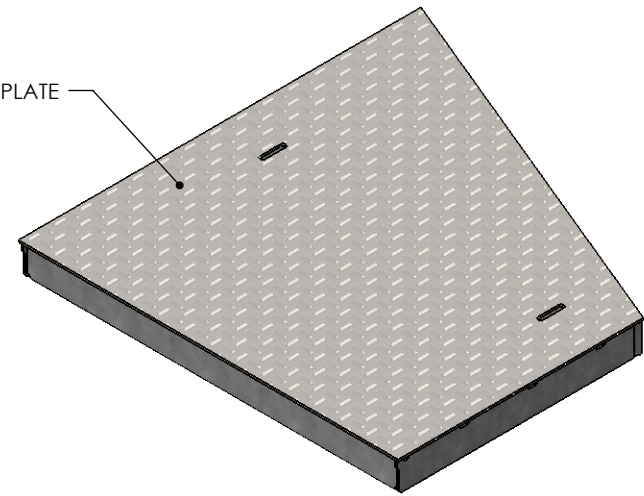


GALVANIZED STEEL TREAD PLATE



- NOTE 1:** \varnothing 5/8" GROUNDING HOLES IN BOTTOM OF STEEL CHANNELS
- NOTE 2:** FOR NON-STANDARD LENGTHS, THE PART NUMBER WILL CORRESPOND TO IT'S MEASURED LENGTH. IE: 8041HT4SG 22.5R 20"
- NOTE 3:** TREAD ON DIAMOND PLATE ADDS 1/8" TO OVERALL HEIGHT

AASHTO H-20 RATED – 32,000 LB. SINGLE AXLE LOAD

DRAWN BY: TOM JANSEN	
CREATED DATE: 4/7/2018	REVISION LEVEL: B
SAVED DATE: 10/6/2020	SAVED BY: jgutting
WEIGHT: 283 LBS.	MATERIAL: GALVANIZED STEEL

CONCAST
 1010 NORTH STAR DRIVE
 P.O. BOX 69
 ZUMBROTA, MN 55992-0069

DESCRIPTION: H-20 GALV STEEL; 22.5 DEGREE ANGLE	
DIMENSIONS ARE IN INCHES TOLERANCES: FRACTIONAL: \pm 1/8" ANGULAR: \pm 2°	CONTACT INFORMATION: EMAIL: INFO@CONCASTINC.COM PHONE: (507) 732-4095 FAX: (507) 732-4094
PART NUMBER: 8041HT4SG 22.5R	
SHEET 1 OF 2	