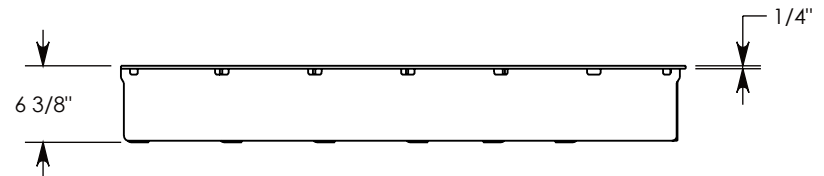
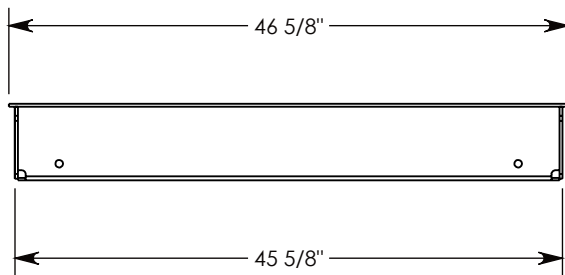
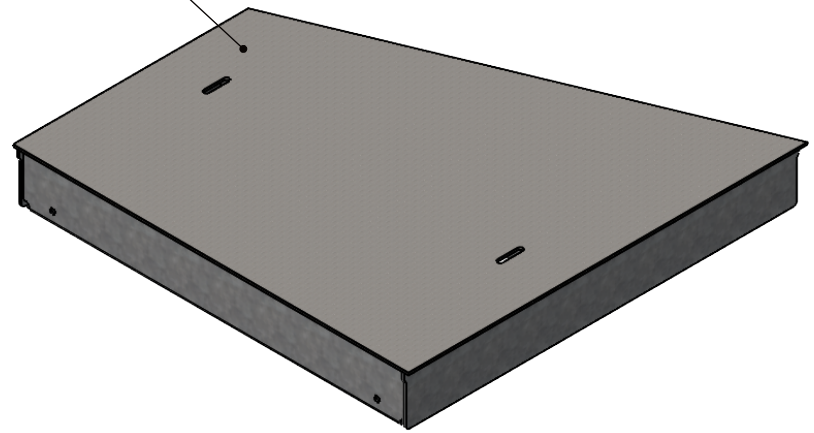
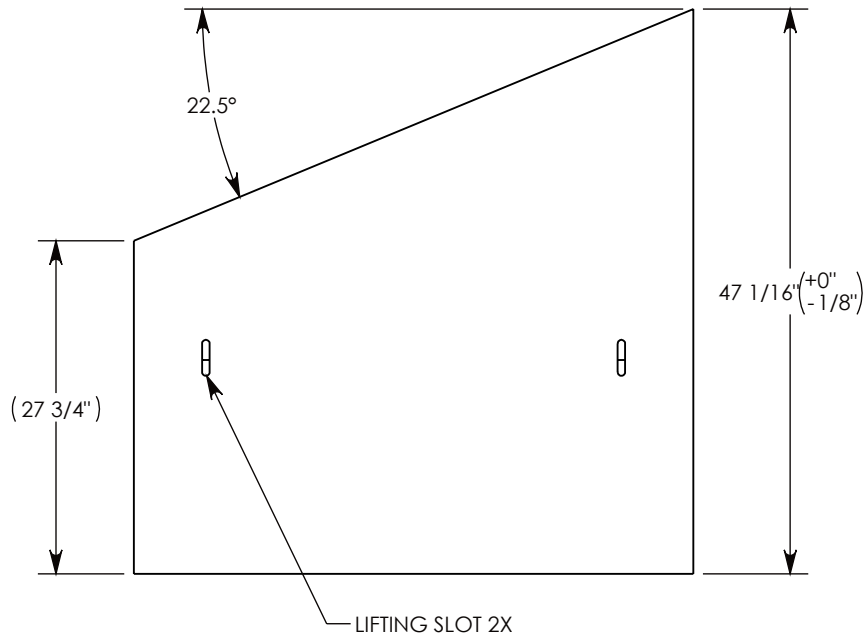


GALVANIZED STEEL TREAD PLATE



NOTE 1: TREAD ON DIAMOND PLATE ADDS 1/8" TO THE OVERALL HEIGHT

AASHTO H-40 RATED - 64,000 LB. SINGLE AXLE LOAD

DRAWN BY: TOM JANSEN	
CREATED DATE: 3/28/2023	REVISION LEVEL: 0
SAVED DATE: 3/29/2023	SAVED BY: tjansen
WEIGHT: 313 LBS.	MATERIAL: GALVANIZED STEEL



1010 NORTH STAR DRIVE
P.O. BOX 69
ZUMBROTA, MN 55992-0069

DESCRIPTION:	
HEAVY TRAFFIC GALV. STEEL COVER	
DIMENSIONS ARE IN INCHES TOLERANCES: FRACTIONAL: $\pm 1/8\text{'}$ ANGULAR: $\pm 2^\circ$	CONTACT INFORMATION: EMAIL: INFO@CONCASTINC.COM PHONE: (507) 732-4095 FAX: (507) 732-4094
PART NUMBER:	
8041HTSG40 22.5L	
SHEET 1 OF 1	