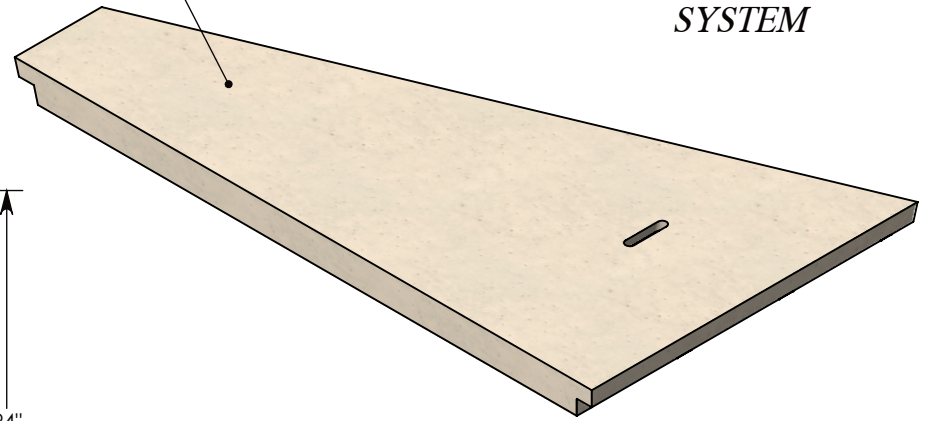
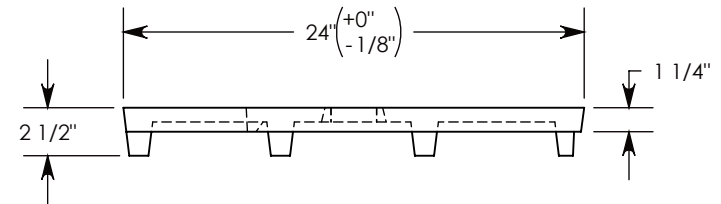
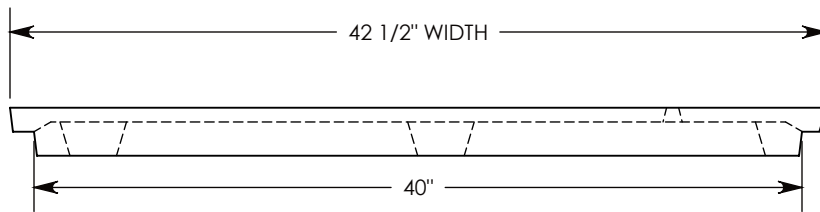
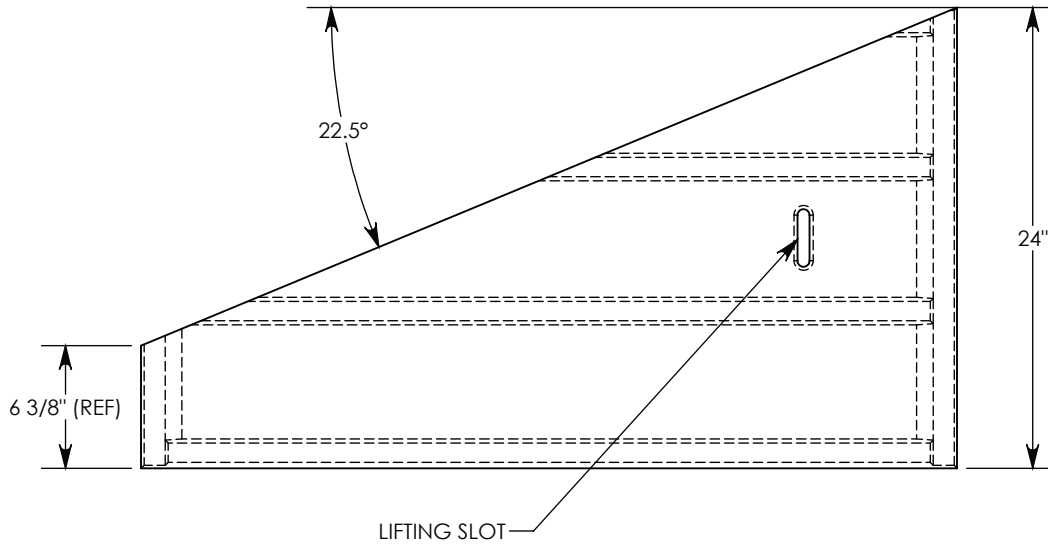


FIBERCRETE[®]
TRENCH
SYSTEM

POLYMER CONCRETE



COVER ASSEMBLES ONTO 40" INSIDE WIDTH
 PEDESTRIAN RATED CONCAST CHANNEL.



PEDESTRIAN RATED - 200 LB. PER SQ. FOOT

DRAWN BY: ROBIN FLINT	
DATE: 10/6/2015	REVISION LEVEL: 0
WEIGHT: 50 LBS.	MATERIAL: POLYMER CONCRETE



CONCAST
 1010 NORTH STAR DRIVE
 P.O. BOX 69
 ZUMBROTA, MN 55992-0069

DESCRIPTION: PEDESTRIAN FC COVER 22.5 DEG. ANGLE		SHEET 1 OF 1
DIMENSIONS ARE IN INCHES TOLERANCES: FRACTIONAL: ± 1/8" ANGULAR: ± 2°	CONTACT INFORMATION: EMAIL: INFO@CONCASTINC.COM PHONE: (507) 732-4095 FAX: (507) 732-4094	
PART NUMBER: 8041P 22.5L		