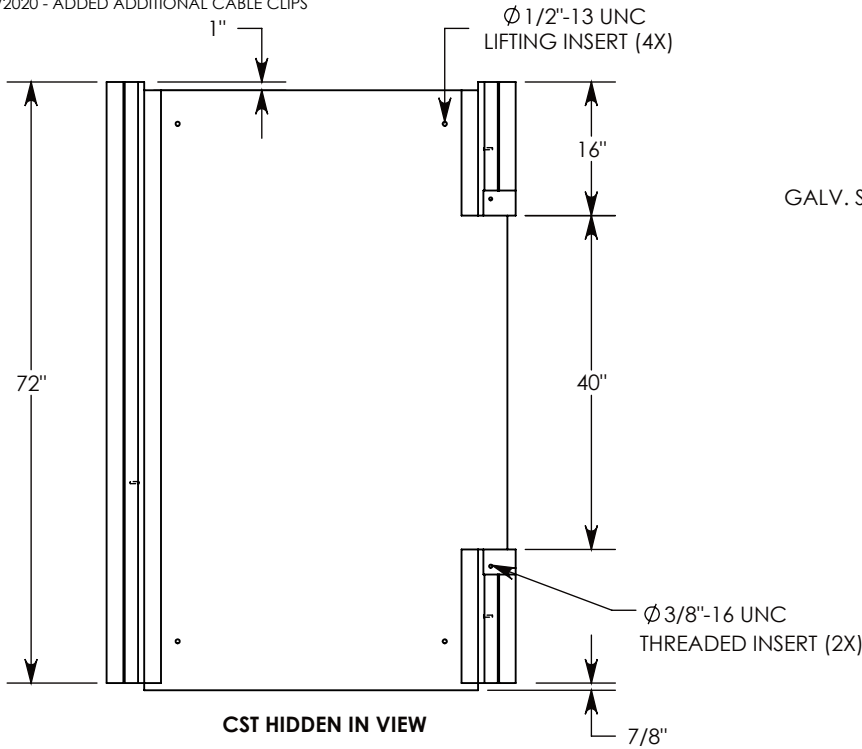
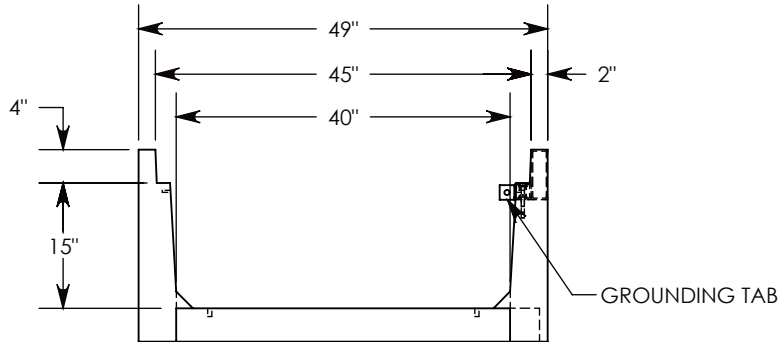
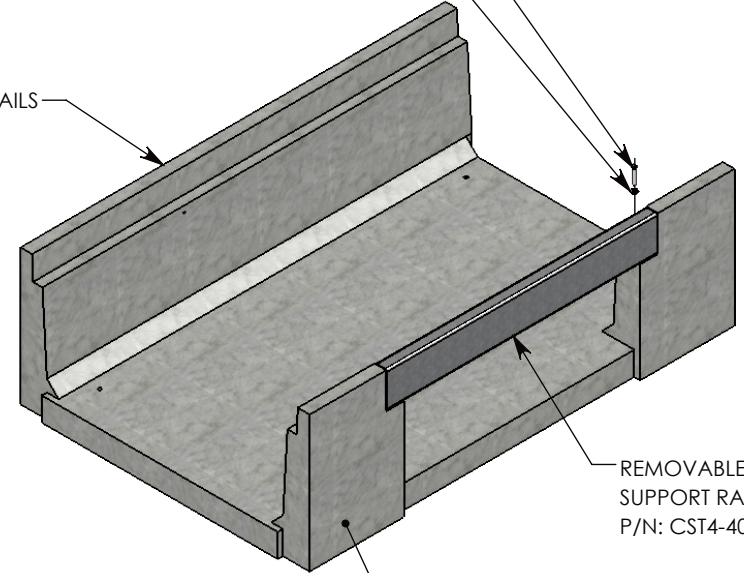


REV. A - TCJ - 3/16/2018 - ADDED 4" SUPPORT RAIL  
 REV. B - RAL - 4/1/2019 - UPDATED LOAD RATING NOTE  
 REV. A - SIC - 1/29/2020 - ADDED ADDITIONAL CABLE CLIPS

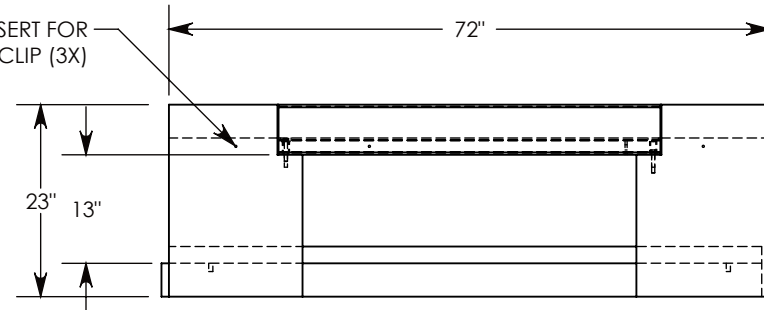


3/8-16 UNC X 2.50" LG HEX HD BOLT, GRADE 8,  
 P/N: HHB.38-2.5G8 QTY: 2  
 3/8" STD WASHER - 1" OD  
 P/N: WSR.38-1 QTY: 2

GALV. STEEL TOP RAILS



Ø 1/4" INSERT FOR CABLE CLIP (3X)



AASHTO H-20 RATED - 32,000 LB. SINGLE AXLE LOAD

DRAWN BY: **TOM JANSEN**

CREATED DATE: **7/14/2008**

REVISION LEVEL: **C**

SAVED DATE: **1/29/2020**

SAVED BY: **scallahan**

WEIGHT:  
**1807 LBS.**

MATERIAL:  
**NOTED**

**CONCAST**  
 1010 NORTH STAR DRIVE  
 P.O. BOX 69  
 ZUMBROTA, MN 55992-0069

DESCRIPTION:

**HEAVY TRAFFIC UNIVERSAL CHANNEL**

DIMENSIONS ARE IN INCHES  
 TOLERANCES:  
 FRACTIONAL: ± 1/8"  
 ANGULAR: ± 2°

CONTACT INFORMATION:  
 EMAIL: [INFO@CONCASTINC.COM](mailto:INFO@CONCASTINC.COM)  
 PHONE: (507) 732-4095  
 FAX: (507) 732-4094

SHEET 1 OF 1

PART NUMBER:

**804216HT4 (40X0)**