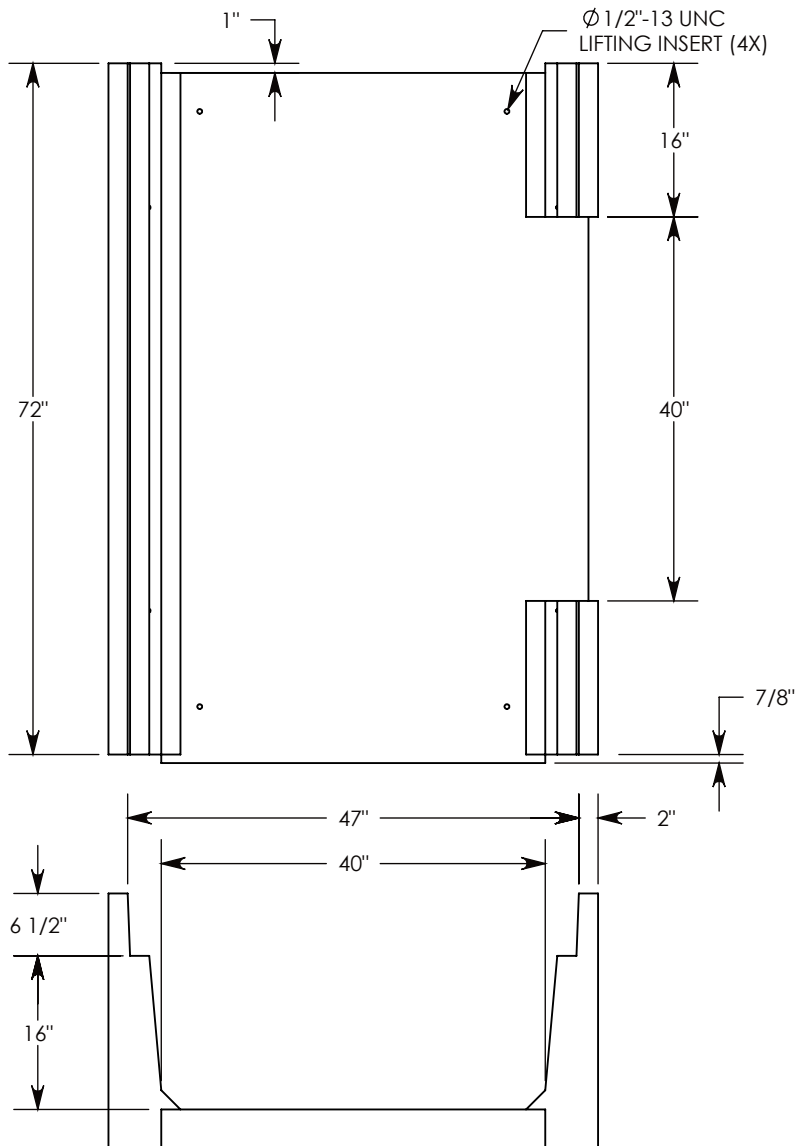
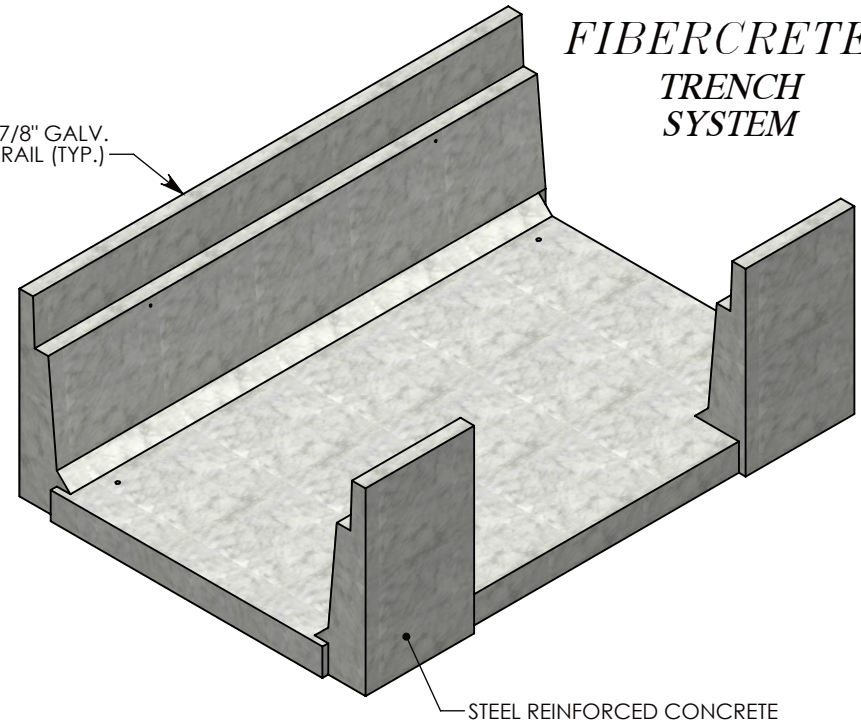


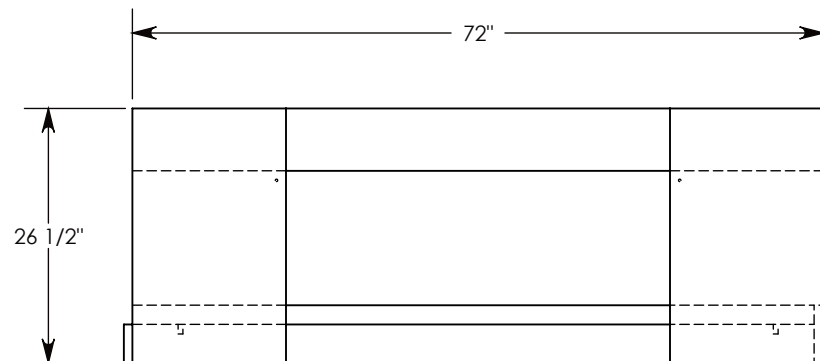
FIBERCRETE[®]
TRENCH
SYSTEM



1-7/8" X 1-7/8" GALV.
 STEEL TOP RAIL (TYP.)



STEEL REINFORCED CONCRETE



H-20 RATED - 32,000 LB. PER AXLE LOAD
 H-40 RATED - 64,000 LB. PER AXLE LOAD WHEN
 USED IN COMBINATION WITH HTSG40 COVERS

DRAWN BY: ROBIN FLINT

DATE: 4/22/2015

REVISION LEVEL: 0

WEIGHT:

2539 LBS.

MATERIAL:

CONCRETE



1010 NORTH STAR DRIVE
 P.O. BOX 69
 ZUMBROTA, MN 55992-0069

DESCRIPTION:

HEAVY TRAFFIC UNIVERSAL CHANNEL

DIMENSIONS ARE IN INCHES
 TOLERANCES:
 FRACTIONAL: ± 1/8"
 ANGULAR: ± 2°

CONTACT INFORMATION:
 EMAIL: INFO@CONCASTINC.COM
 PHONE: (507) 732-4095
 FAX: (507) 732-4094

SHEET 1 OF 1

PART NUMBER:

804216HT (40X0)