

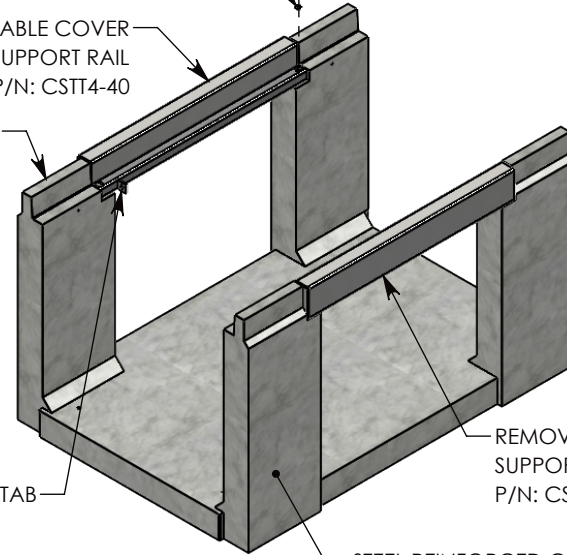
**DETAIL B
SCALE 1 : 15
HIDDEN LINES REMOVED**

3/8-16 UNC X 2.50" LG HEX HD BOLT, GRADE 8 (4X)
P/N: HHB.38-2.5G8

3/8" STD WASHER - 1" OD (4X)
P/N: WSR.38-1

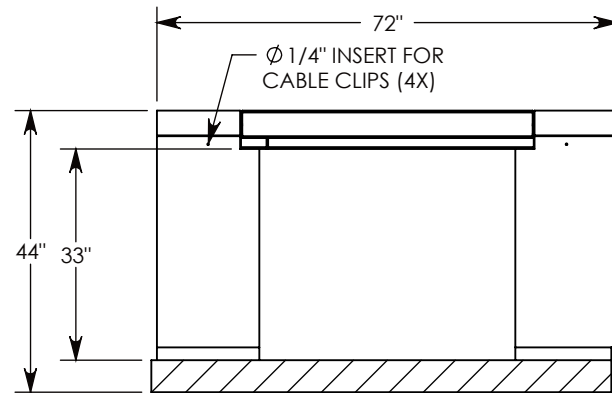
REMOVABLE COVER
SUPPORT RAIL
P/N: CSTT4-40

GALV. STEEL TOP RAILS



REMOVABLE COVER
SUPPORT RAIL
P/N: CSTT4-40

STEEL REINFORCED CONCRETE



SECTION A-A

AASHTO H-20 RATED - 32,000 LB. SINGLE AXLE LOAD

DRAWN BY: SAMUEL CALLAHAN

CREATED DATE: 8/28/2019 **REVISION LEVEL: A**

SAVED DATE: 10/19/2020 **SAVED BY: scallahan**

WEIGHT: 2629 LBS. **MATERIAL: NOTED**


 1010 NORTH STAR DRIVE
 P.O. BOX 69
 ZUMBROTA, MN 55992-0069

DESCRIPTION:

HEAVY TRAFFIC UNIVERSAL CHANNEL

DIMENSIONS ARE IN INCHES
 TOLERANCES:
 FRACTIONAL: $\pm 1/8$ "
 ANGULAR: $\pm 2^\circ$

CONTACT INFORMATION:
 EMAIL: INFO@CONCASTINC.COM
 PHONE: (507) 732-4095
 FAX: (507) 732-4094

SHEET 1 OF 1

PART NUMBER:

804236HT4 (40X40)